

# BOSTON

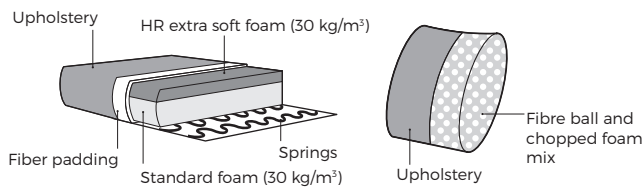


# VILMERS

# BOSTON



## Comfort



## 1. Upholstery



Fabric

## 2. Armrests



**OMEGA\***  
W 3 x D 90 x H 53



**STREET**  
W 25 x D 97 x H 64



**BOSTON**  
W 27 x D 97 x H 64



**MIAMI**  
W 29 x D 99 x H 63

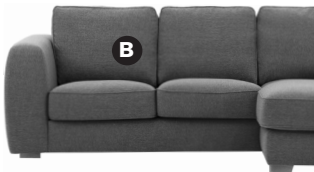


**CHILL**  
W 30 x D 97 x H 60



**BENTO**  
W 21 x D 96 x H 59

## 3. Choose cushions



Cushion **B**



Cushion **P**

## 4. Multicolour option



## 5. Legs



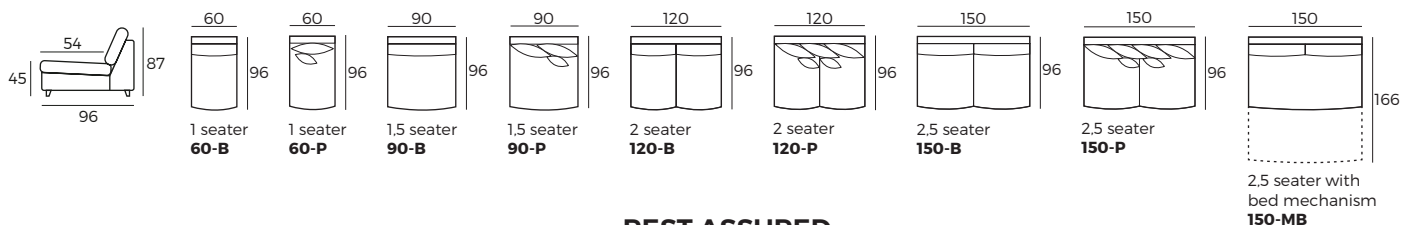
\* The height of all legs can be either 3 cm, 6 cm or 8 cm.

### IMPORTANT:

Upholstered furniture is handmade using soft materials, therefore measurements can vary in all modules by up to **+/-2 cm**.  
Modules and combinations shown in 2D drawings are left-sided. Modules and combinations can be mirrored from left to right.

## Modules (Measurements with BOSTON armrest)

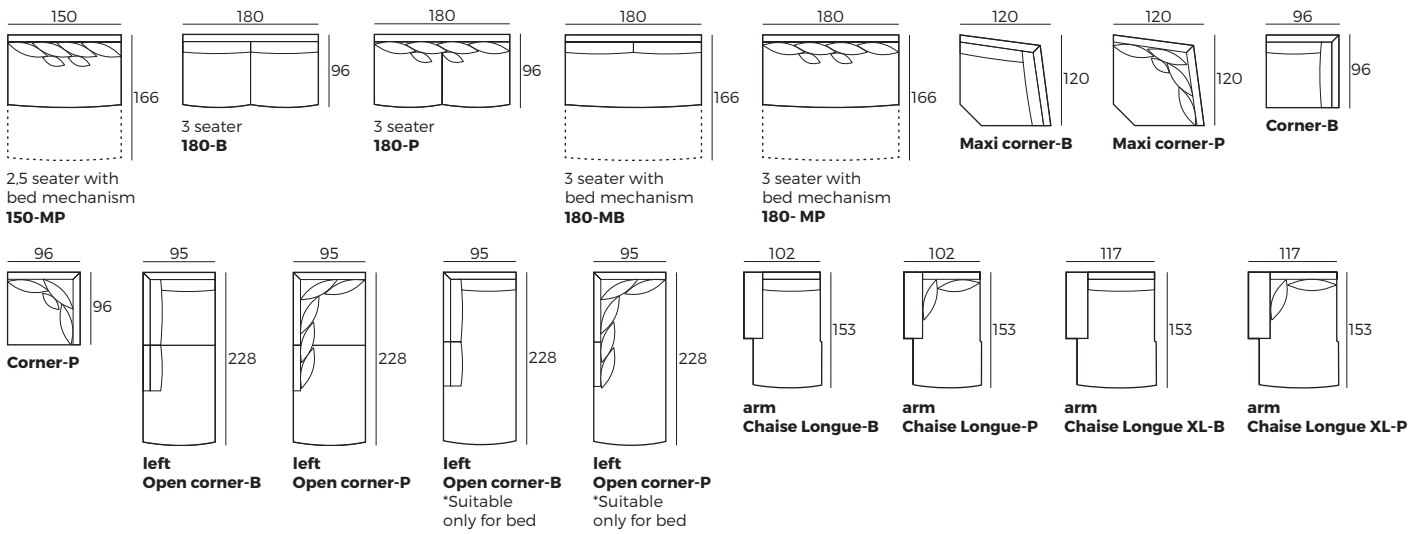
Scale 1:100



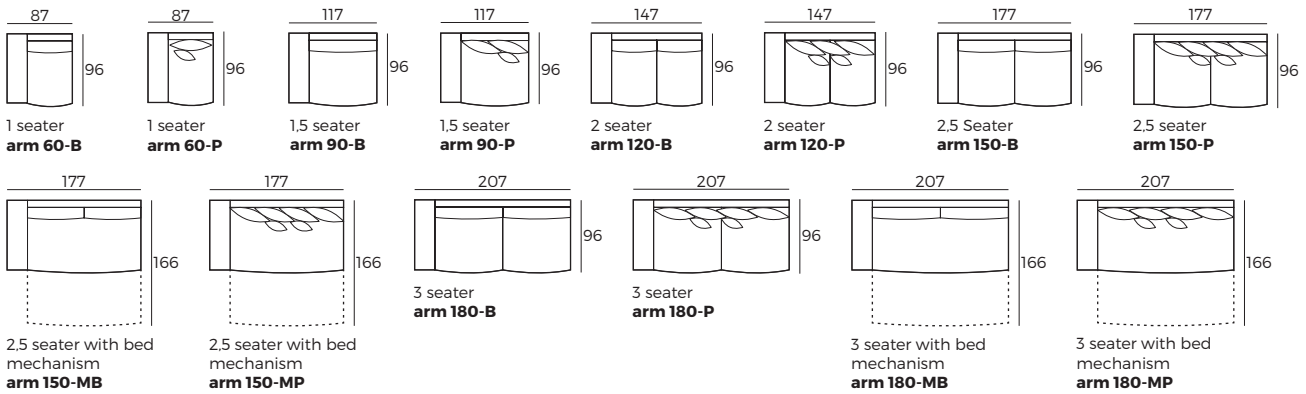
# BOSTON

## Modules (Measurements with BOSTON armrest)

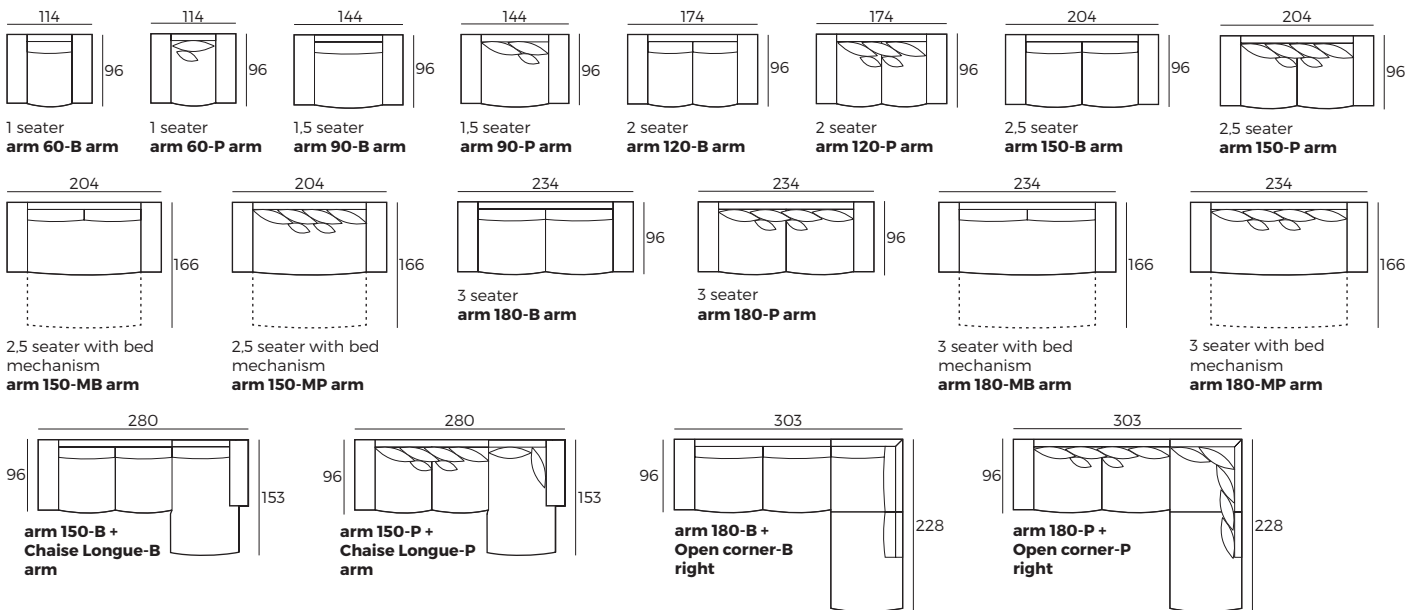
Scale 1:100



## Modules with armrest (Measurements with BOSTON armrest)

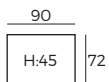


## Combinations (Measurements with BOSTON armrest)



## Accessories

Scale 1:100



Footstool  
90x72

REST ASSURED  
vilmer.com