

CANYON

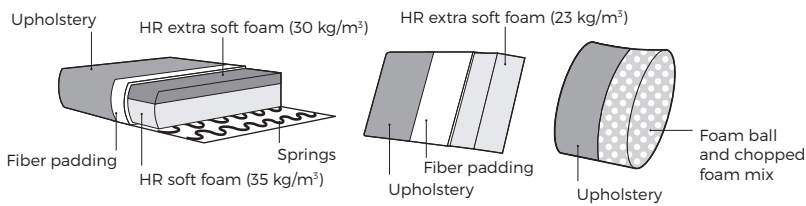


VILMERS

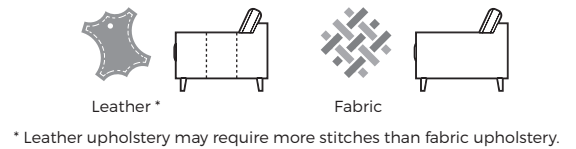
CANYON



Comfort



1. Upholstery

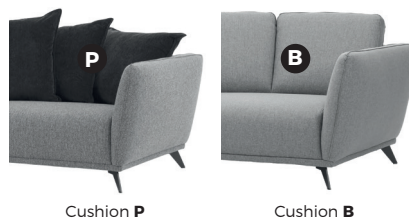


2. Multicolour option



3. Choose cushions

Multi corner



Cushion P

Cushion B

4. Legs

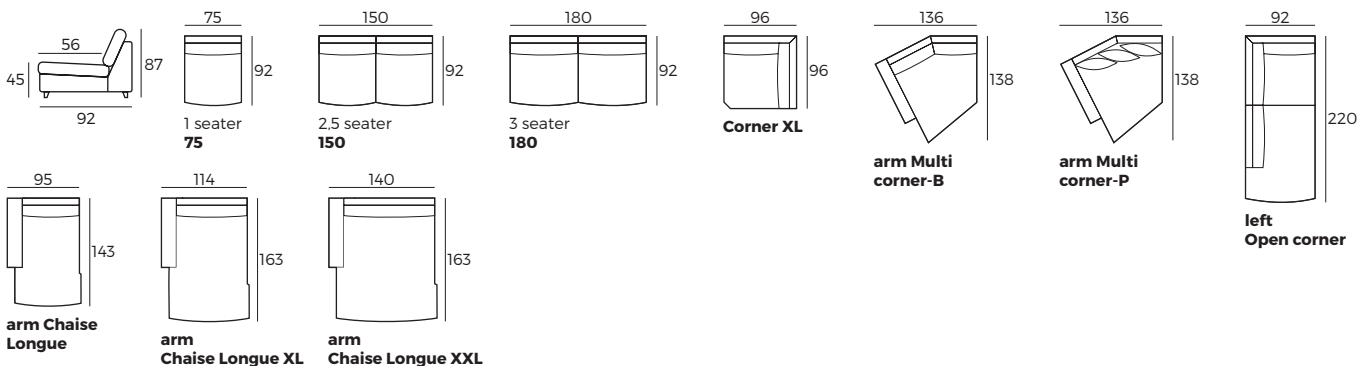


IMPORTANT:

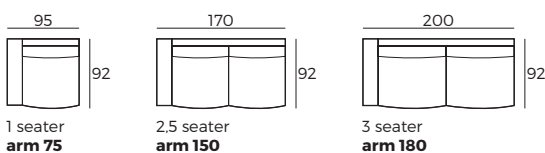
Upholstered furniture is handmade using soft materials, therefore measurements can vary in all modules by up to **+/-2 cm**.
Modules and combinations shown in 2D drawings are left-sided. Modules and combinations can be mirrored from left to right.

Modules

Scale 1:100



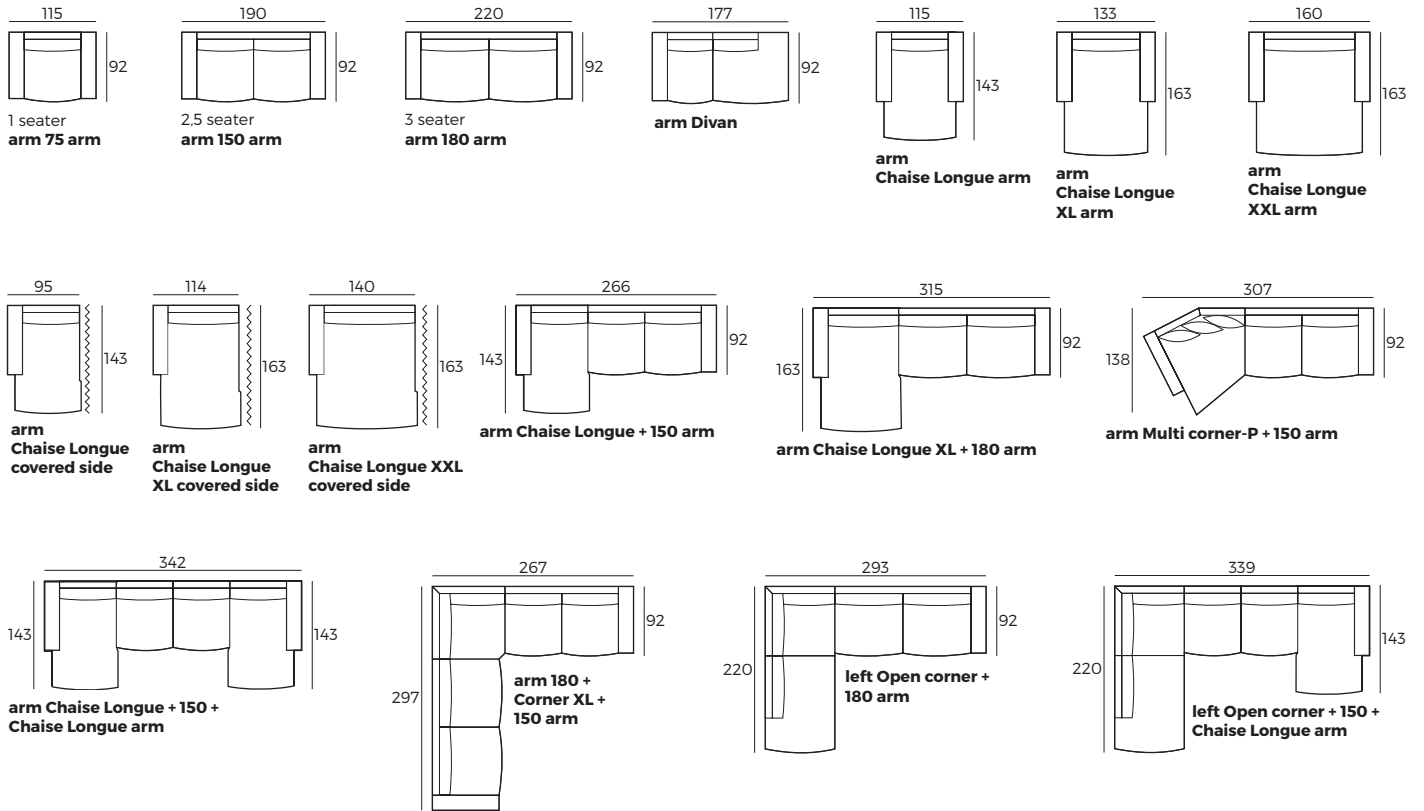
Modules with armrest



CANYON

Combinations

Scale 1:100



Accessories

