

# CAROLINA

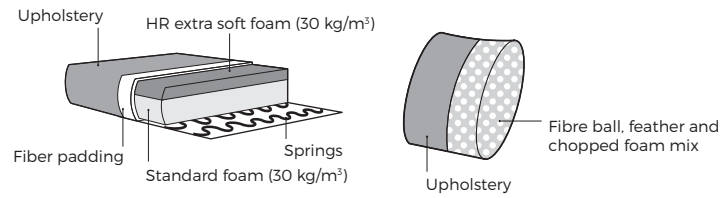


# VILMERS

# CAROLINA



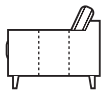
## Comfort



### 1. Upholstery



Leather\*



Fabric

\* Leather upholstery may require more stitches than fabric upholstery.

### 2. Armrests



OMEGA

W 3 x D 96 x H 63



FLATY

W 14 x D 96 x H 63



BENTO

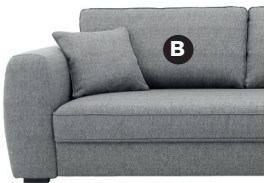
W 21 x D 96 x H 59



STREET

W 25 x D 96 x H 63

### 3. Choose cushions



Cushion B



Cushion P

### 4. Multicolour option



3 cm



282  
Oak



Black



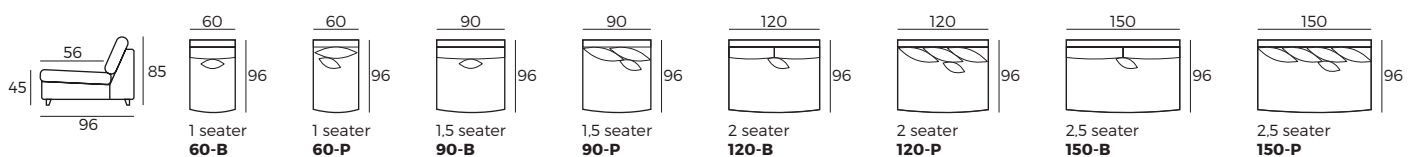
323  
Metal

#### IMPORTANT:

Upholstered furniture is handmade using soft materials, therefore measurements can vary in all modules by up to **+/-2 cm**.  
Modules and combinations shown in 2D drawings are left-sided. Modules and combinations can be mirrored from left to right.

### Modules (Measurements with STREET armrest)

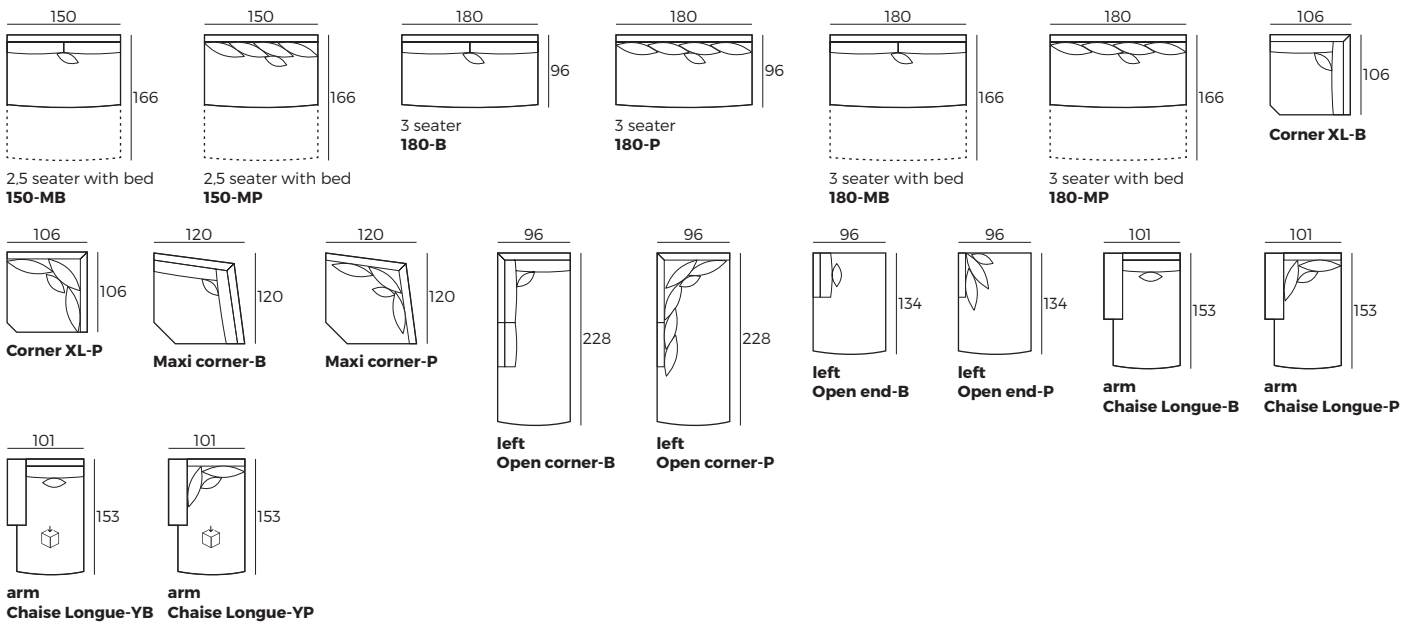
Scale 1:100



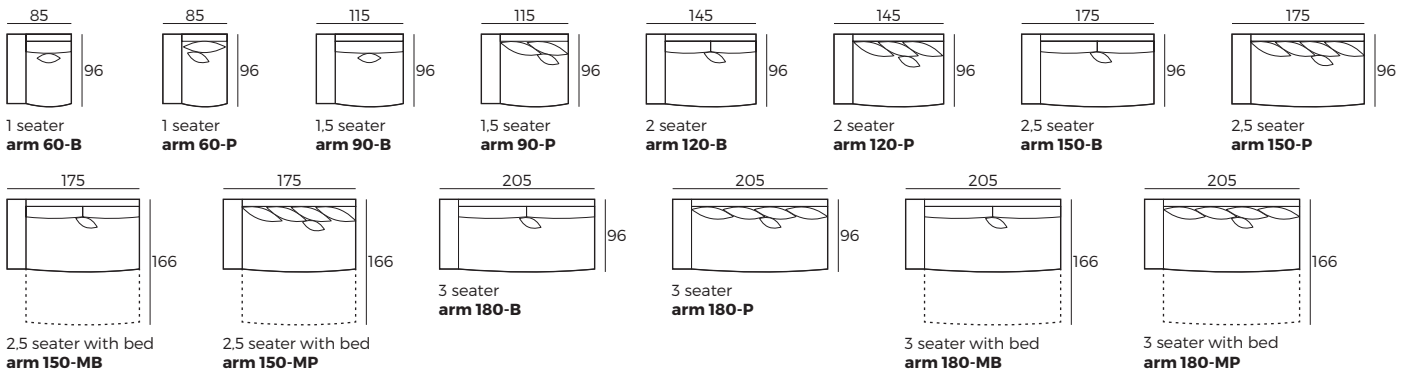
# CAROLINA

## Modules (Measurements with STREET armrest)

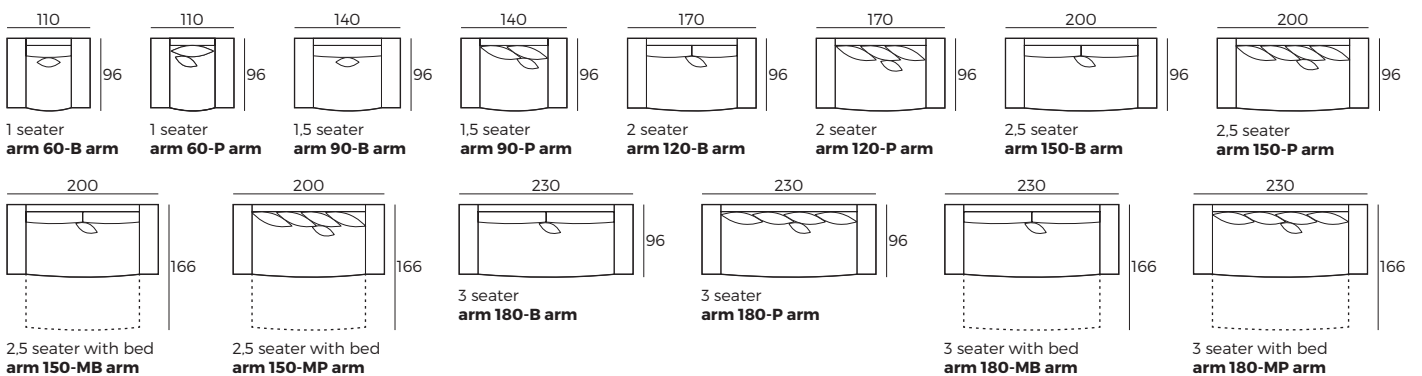
Scale 1:100



## Modules with armrest (Measurements with STREET armrest)



## Combinations (Measurements with STREET armrest)



## Accessories

