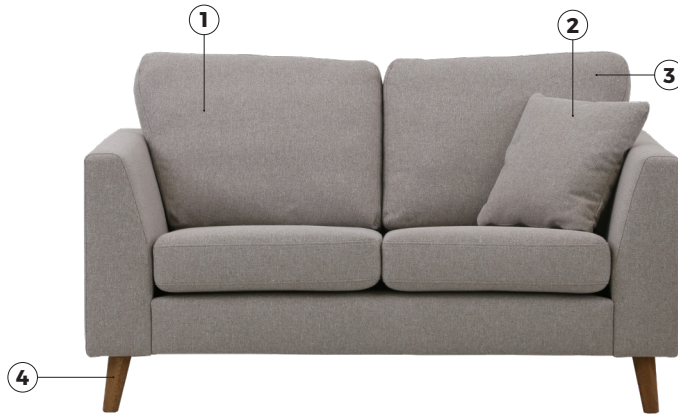


LARGO

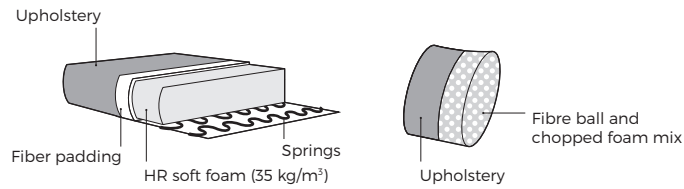


VILMERS

LARGO



Comfort



1. Upholstery



* Leather upholstery may require more stitches than fabric upholstery.

2. Multicolour Option



3. Choose cushions



4. Legs

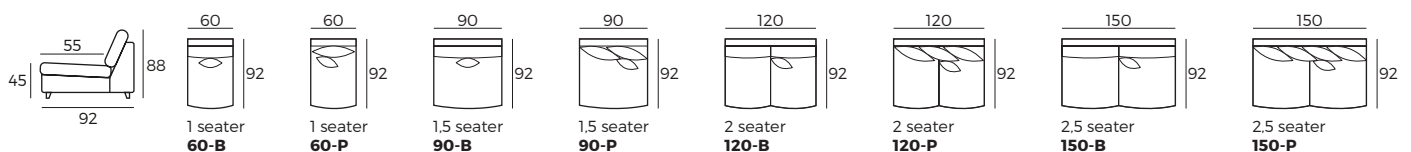


IMPORTANT:

Upholstered furniture is handmade using soft materials, therefore measurements can vary in all modules by up to **+/-2 cm**.
Modules and combinations shown in 2D drawings are left-sided. Modules and combinations can be mirrored from left to right.

Modules

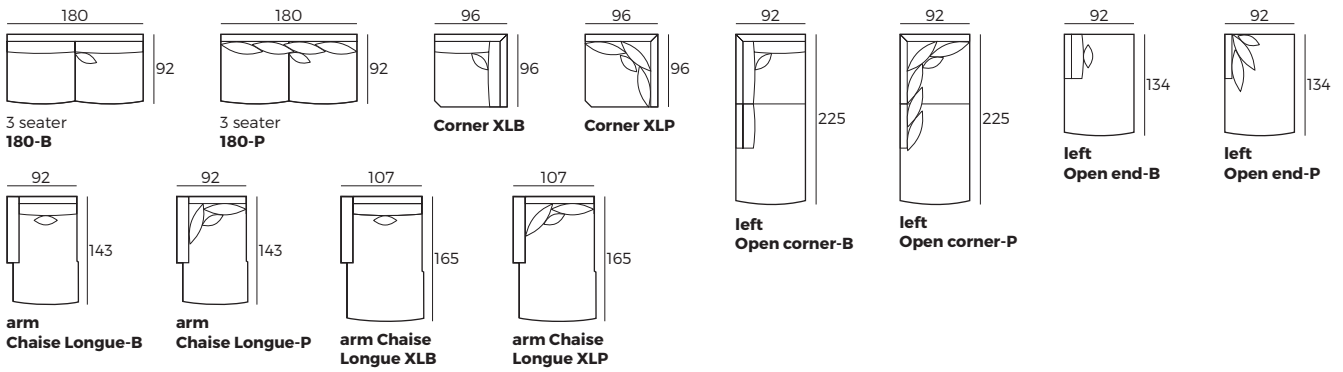
Scale 1:100



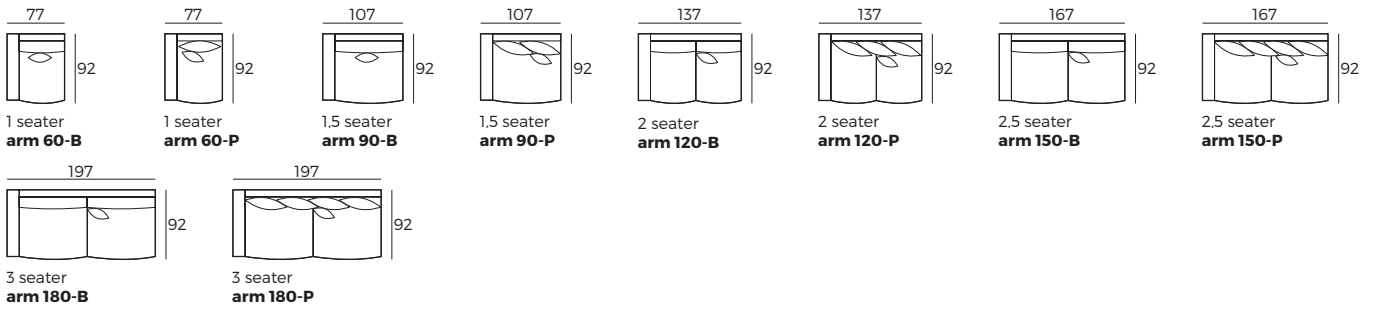
LARGO

Scale 1:100

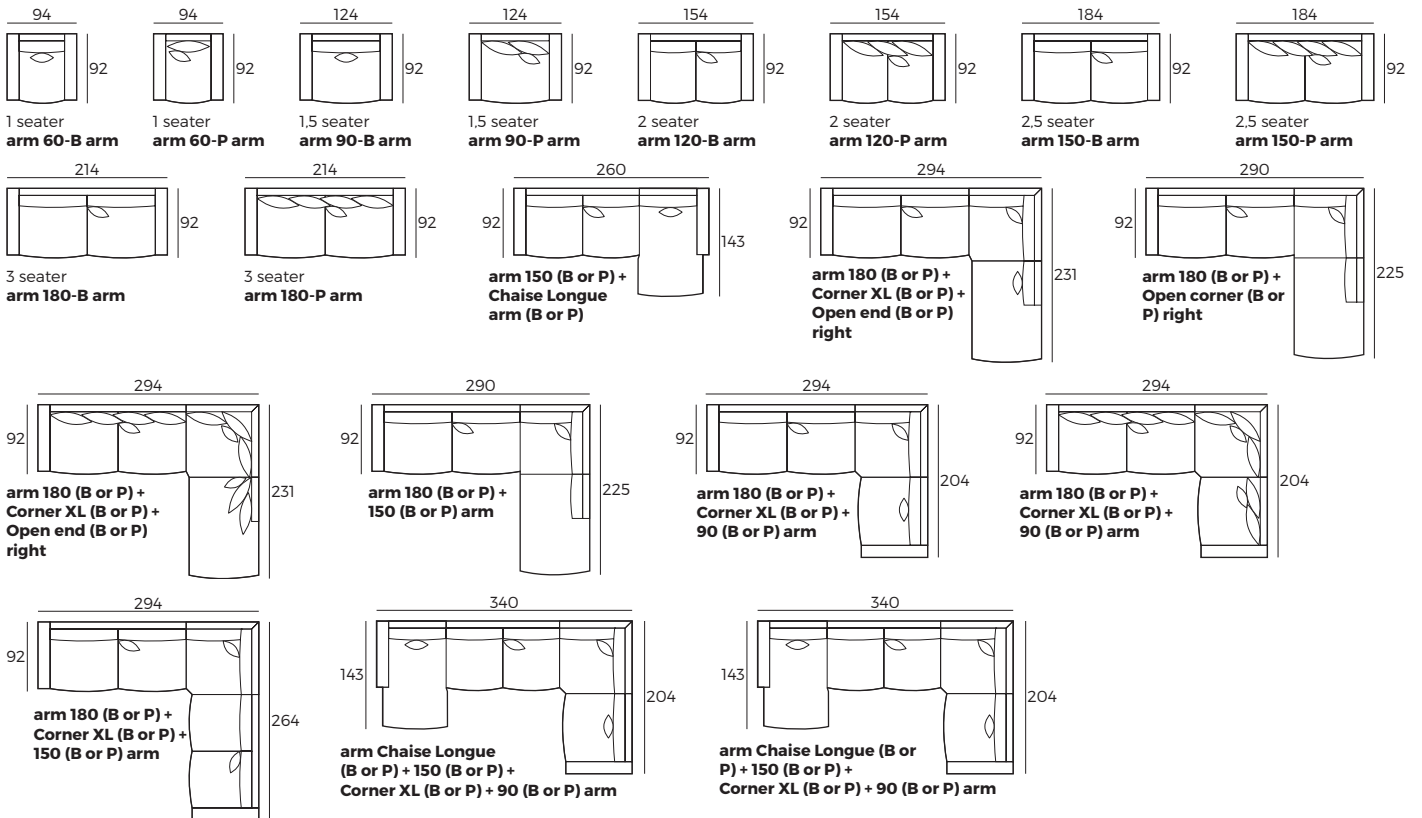
Modules



Modules with armrest



Combinations



Accessories

