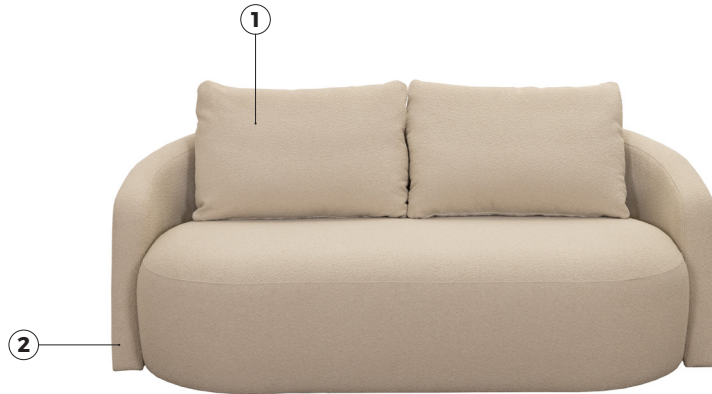


LUPIN

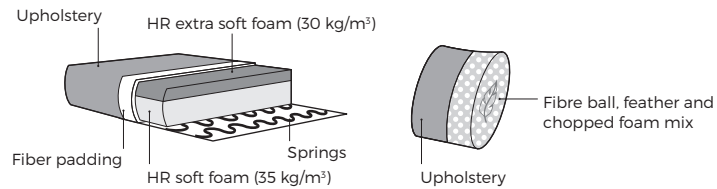


VILMERS

LUPIN



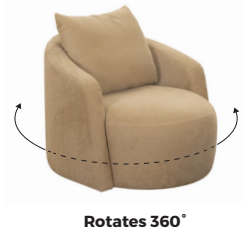
Comfort



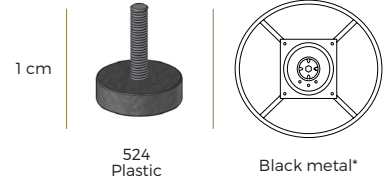
1. Upholstery



2. Rotation function



3. Legs

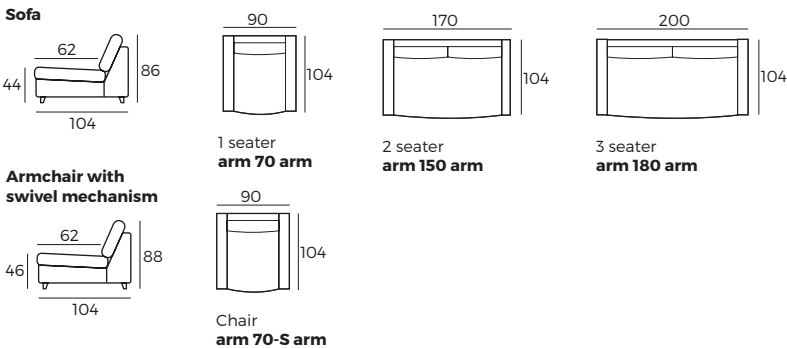


IMPORTANT:

Upholstered furniture is handmade using soft materials, therefore measurements can vary in all modules by up to **+/-2cm**.
 Modules and combinations shown in 2D drawings are left-sided. Modules and combinations can be mirrored from left to right.
 Rotation mechanism only for armchair.

Combinations

Scale 1:100



Accessories



Footstool
75x60