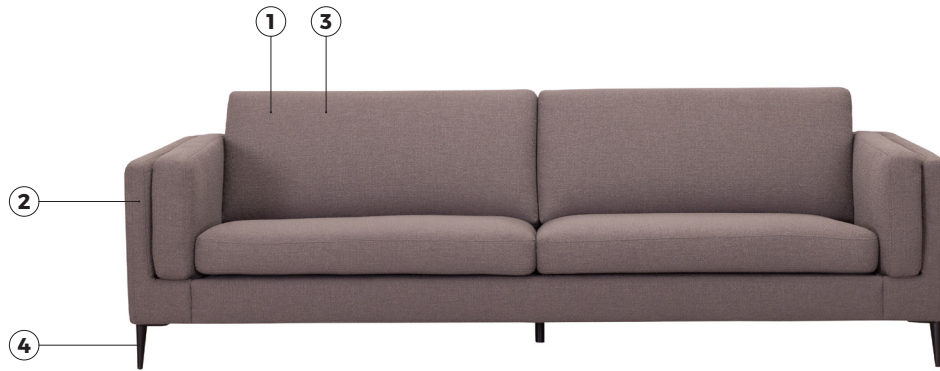


# NORDIC

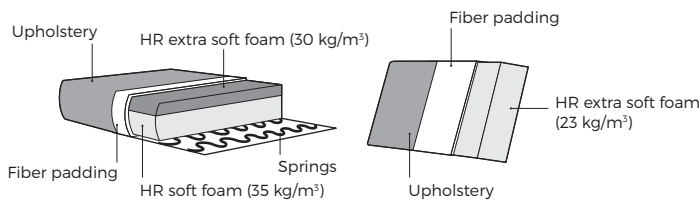


VILMERS

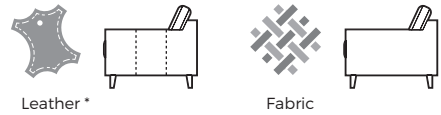
# NORDIC



## Comfort

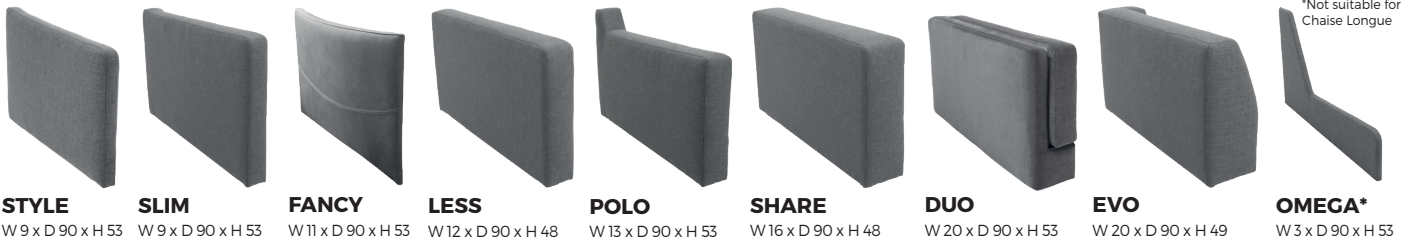


## 1. Upholstery



\* Leather upholstery may require more stitches than fabric upholstery.

## 2. Armrests



**STYLE** W 9 x D 90 x H 53    **SLIM** W 9 x D 90 x H 53    **FANCY** W 11 x D 90 x H 53    **LESS** W 12 x D 90 x H 48    **POLO** W 13 x D 90 x H 53    **SHARE** W 16 x D 90 x H 48    **DUO** W 20 x D 90 x H 53    **EVO** W 20 x D 90 x H 49    **OMEGA\*** W 3 x D 90 x H 53

\*Not suitable for Chaise Longue

## 3. Multicolour option



## 4. Legs

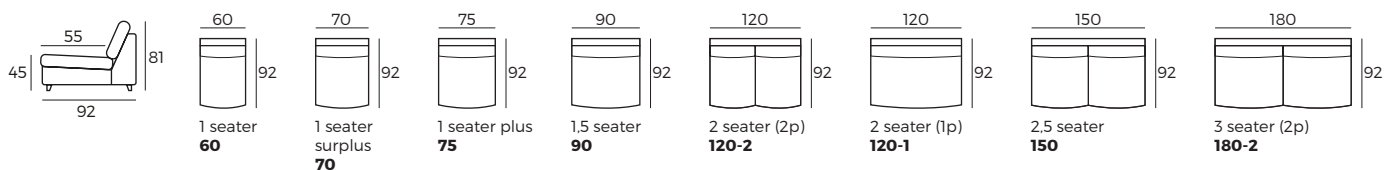


### IMPORTANT:

Upholstered furniture is handmade using soft materials, therefore measurements can vary in all modules by up to +/-2 cm. Modules and combinations shown in 2D drawings are left-sided. Modules and combinations can be mirrored from left to right. For an additional fee, the sides of each seater module can be covered in fabric.

## Modules (Measurements with SHARE armrest)

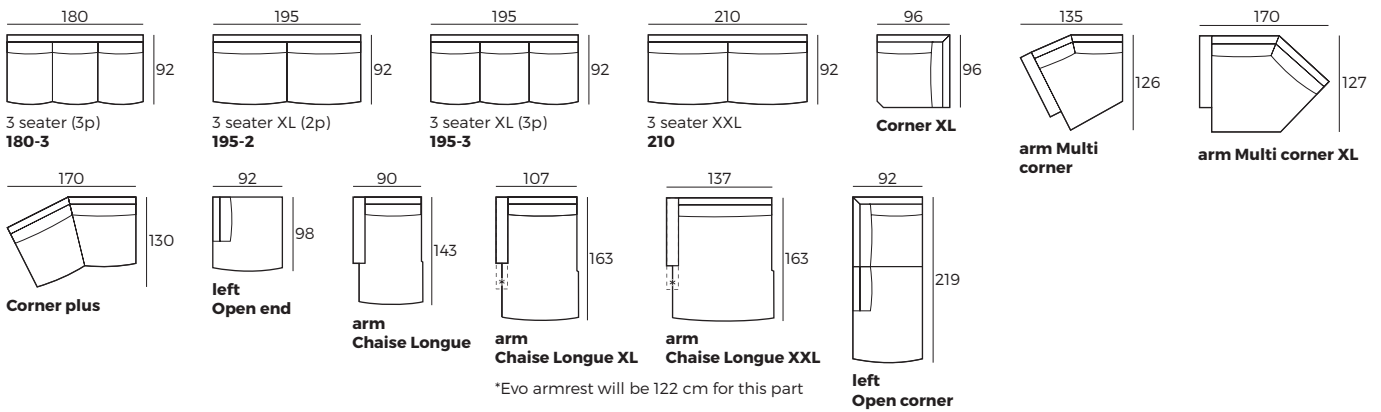
Scale 1:100



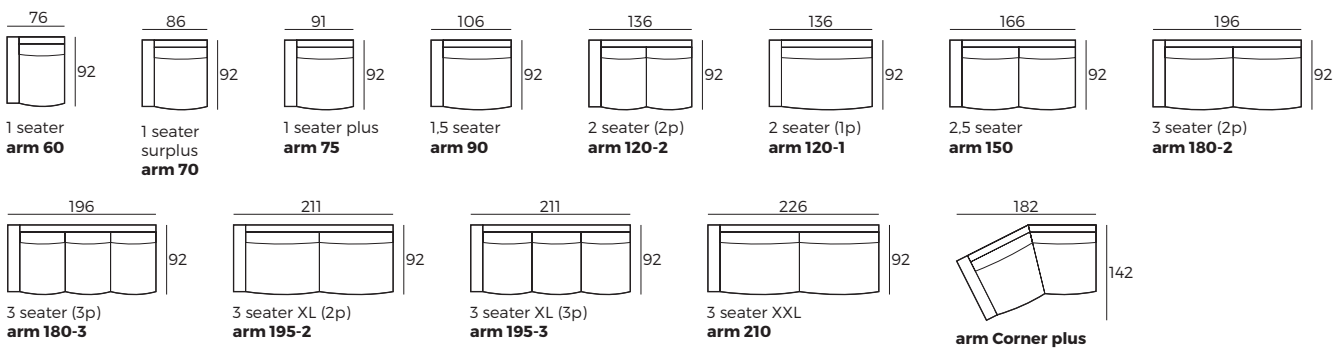
# NORDIC

## Modules (Measurements with SHARE armrest)

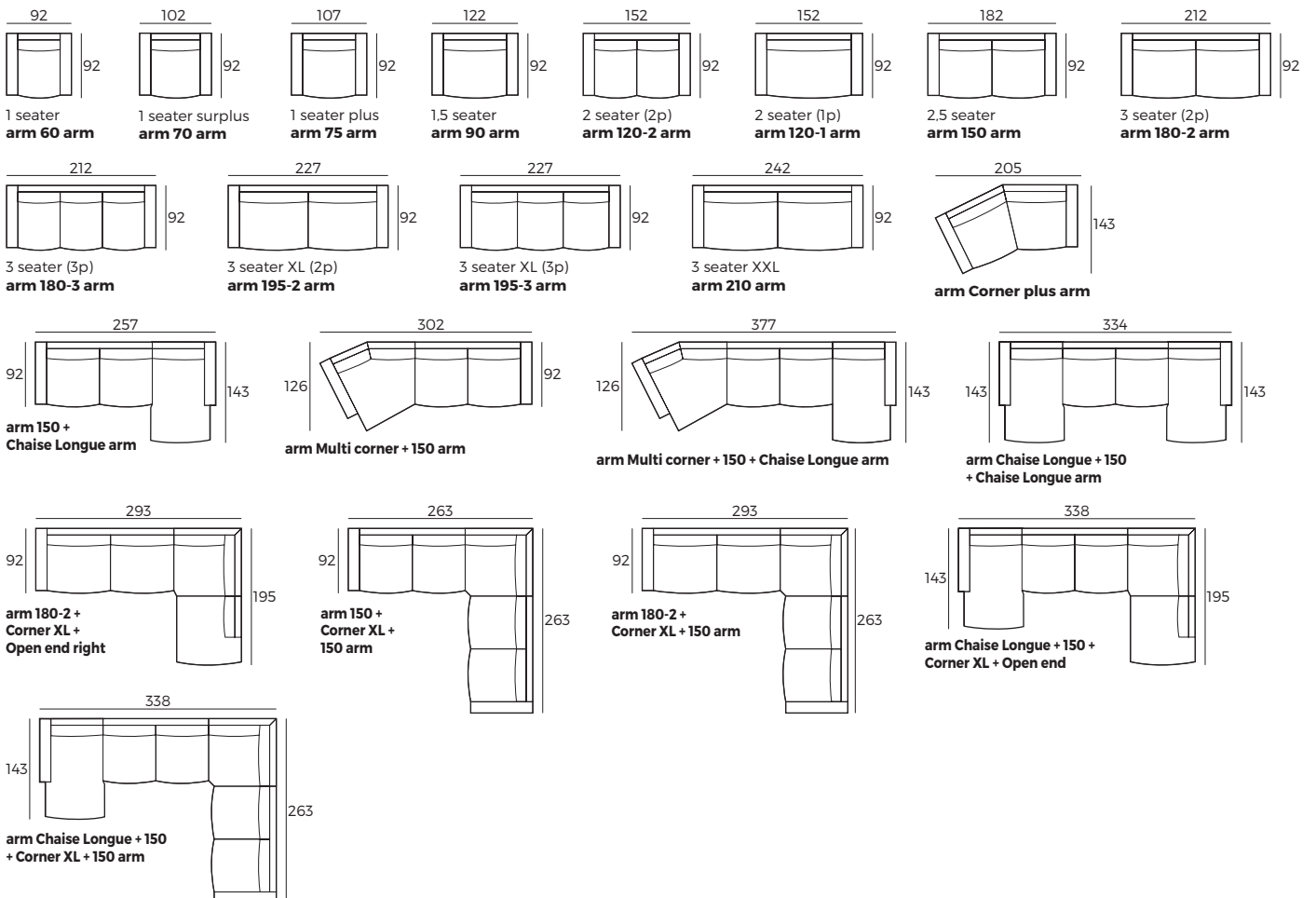
Scale 1:100



## Modules with armrest (Measurements with SHARE armrest)



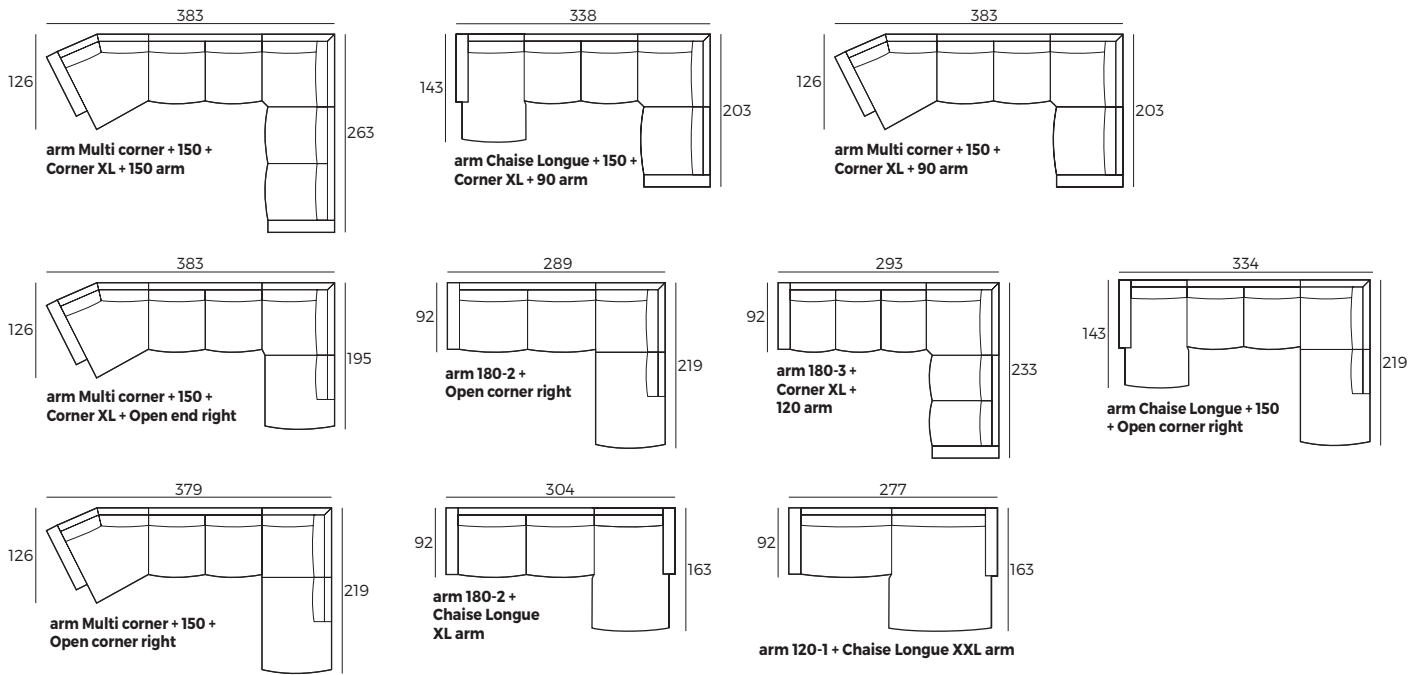
## Combinations (Measurements with SHARE armrest)



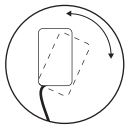
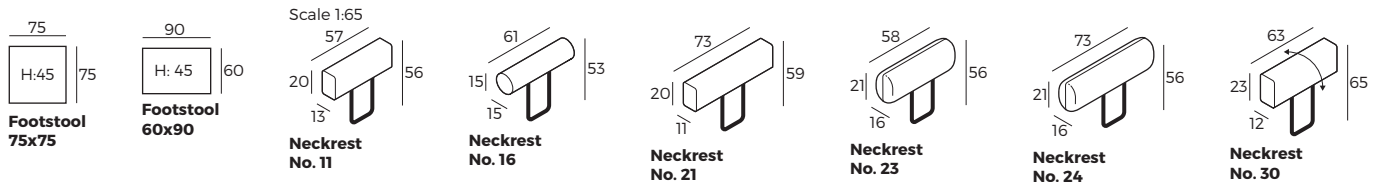
# NORDIC

## Combinations (Measurements with SHARE armrest)

Scale 1:100



## Accessories



With click-clack function