

TAILOR S

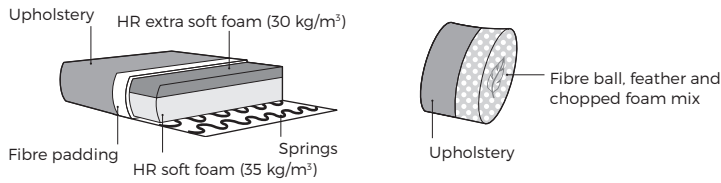


VILMERS

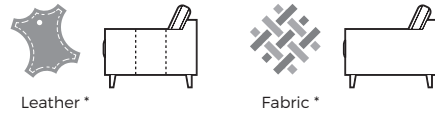
TAILOR S



Comfort

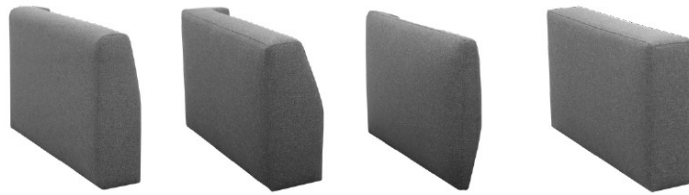


1. Upholstery



* Leather upholstery may require more stitches than fabric upholstery.

2. Armrests



STREET (2) W 23 x D 99 x H 52
OBLIK (3) W 27 x D 99 x H 52
BRERA (4) W 18 x D 99 x H 52
PINTO (5) W 18 x D 99 x H 46

3. Legs

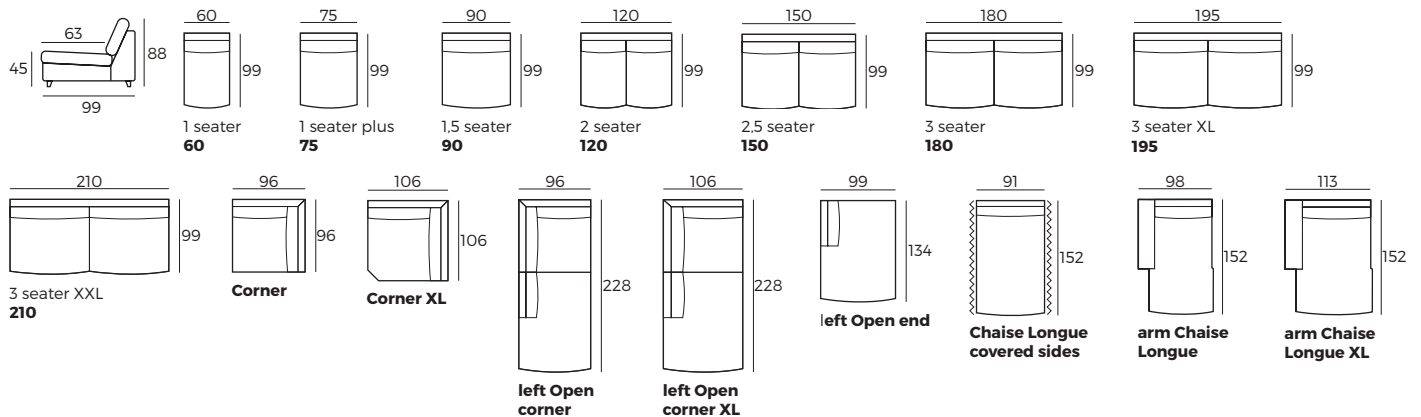


IMPORTANT:

Upholstered furniture is handmade using soft materials, therefore measurements can vary in all modules by up to **+/-2 cm**.
 Modules and combinations shown in 2D drawings are left-sided. Modules and combinations can be mirrored from left to right.

Modules (Measurements with STREET armrest)

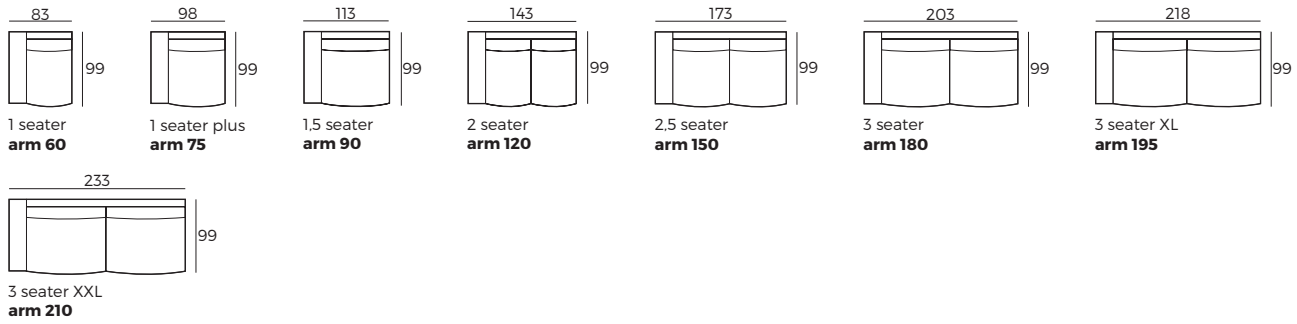
Scale 1:100



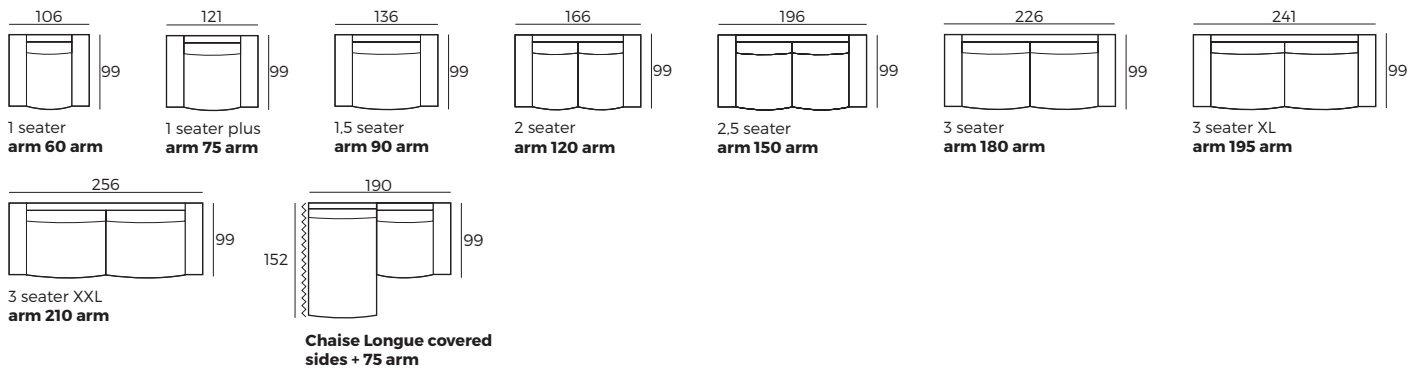
TAILOR S

Modules with armrest (Measurements with STREET armrest)

Scale 1:100



Combinations (Measurements with STREET armrest)



Accessories

