

BLUEMARY

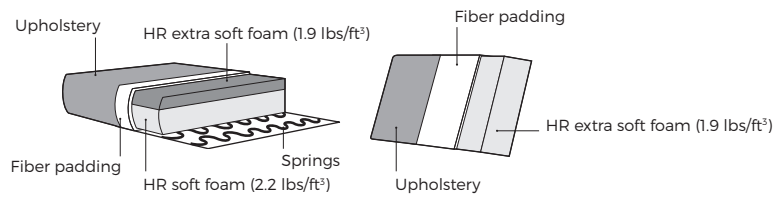


VILMERS

BLUEMARY



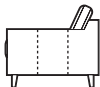
Comfort



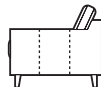
1. Upholstery



Leather*



Fabric



2. Legs

1"



282 Oiled



Black



323 Metal



152 Plastic

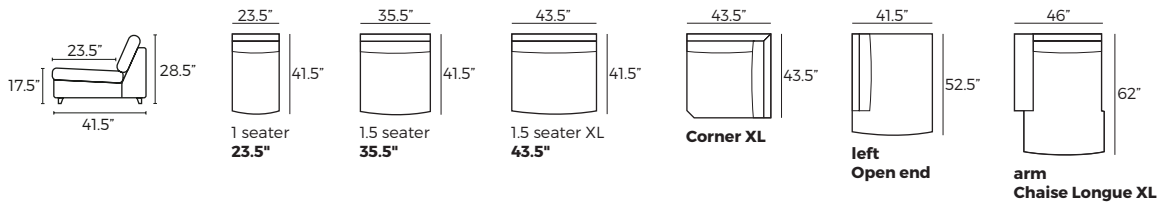
* Leather and fabric upholstery contain the same number of stitches.

IMPORTANT:

Upholstered furniture is handmade using soft materials, therefore measurements can vary in all modules by up to +/- 1".
Modules and combinations shown in 2D drawings are left-sided. Modules and combinations can be mirrored from left to right.

Modules

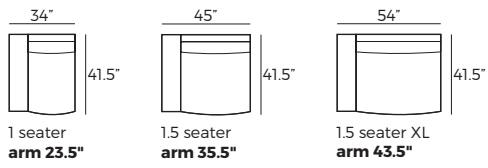
Scale 1:100



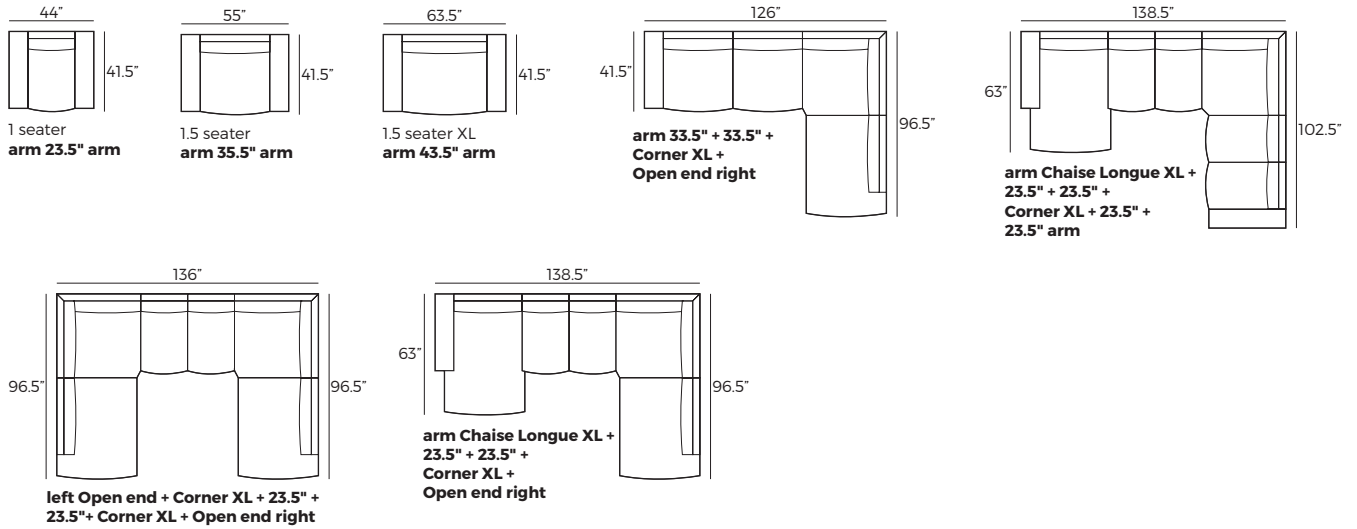
BLUEMARY

Modules with armrest

Scale 1:100



Combinations



Accessories

