

BOSTON

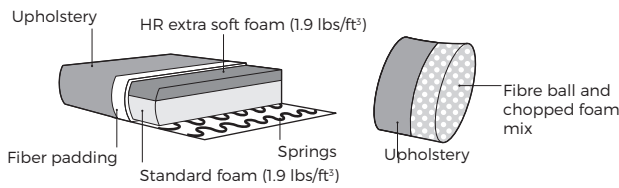


VILMERS

BOSTON



Comfort



1. Upholstery



2. Armrests



OMEGA*
W 1" x D 35.5" x H 21"



STREET
W 10" x D 38" x H 25"



BOSTON
W 10.5" x D 38" x H 25"



MIAMI
W 11.5" x D 39" x H 25"

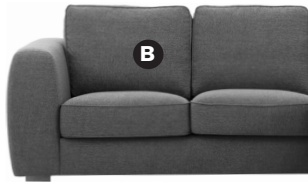


CHILL
W 12" x D 38" x H 23.5"



BENTO
W 8" x D 38" x H 23"

3. Choose cushions



Cushion **B**



Cushion **P**

4. Multicolour option



5. Legs



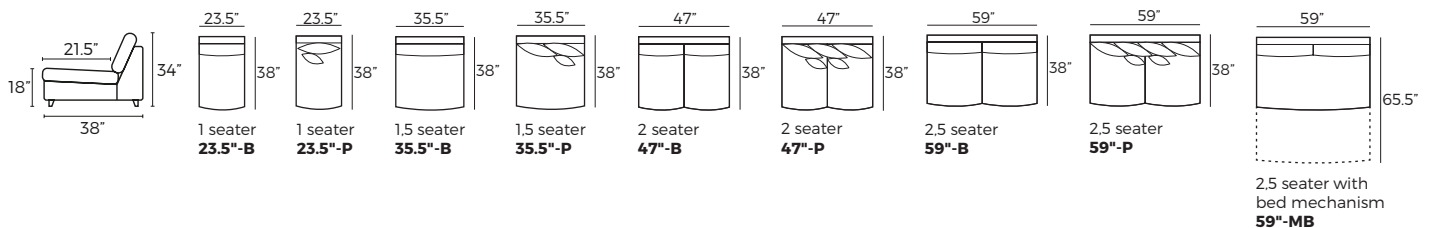
* The height of all legs can be either 1", 2.5" or 3".

IMPORTANT:

Upholstered furniture is handmade using soft materials, therefore measurements can vary in all modules by up to +/- 1".
Modules and combinations shown in 2D drawings are left-sided. Modules and combinations can be mirrored from left to right.

Modules (Measurements with BOSTON armrest)

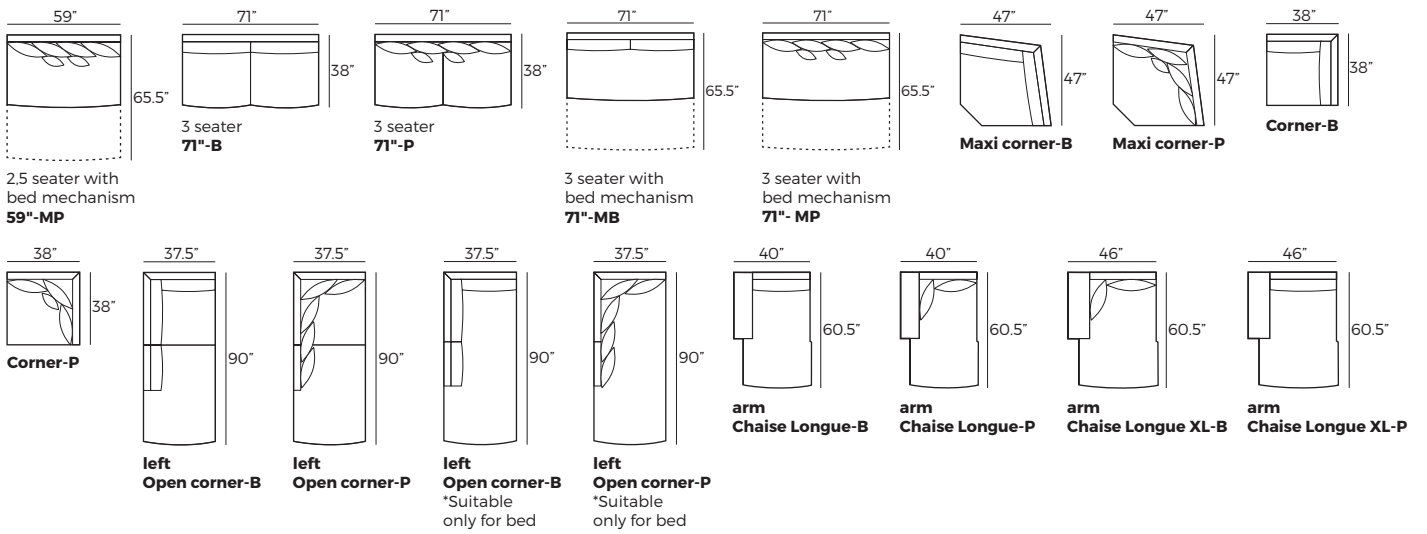
Scale 1:100



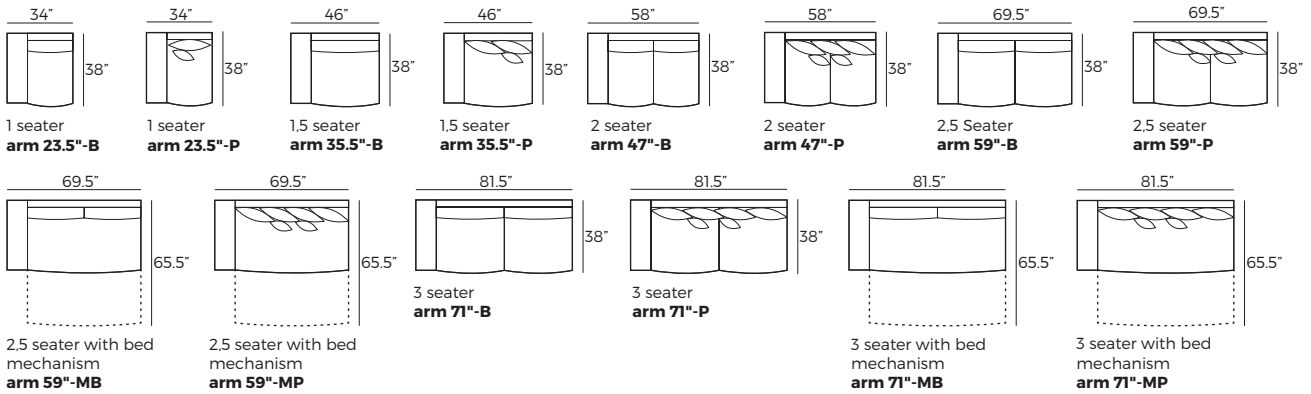
BOSTON

Modules (Measurements with BOSTON armrest)

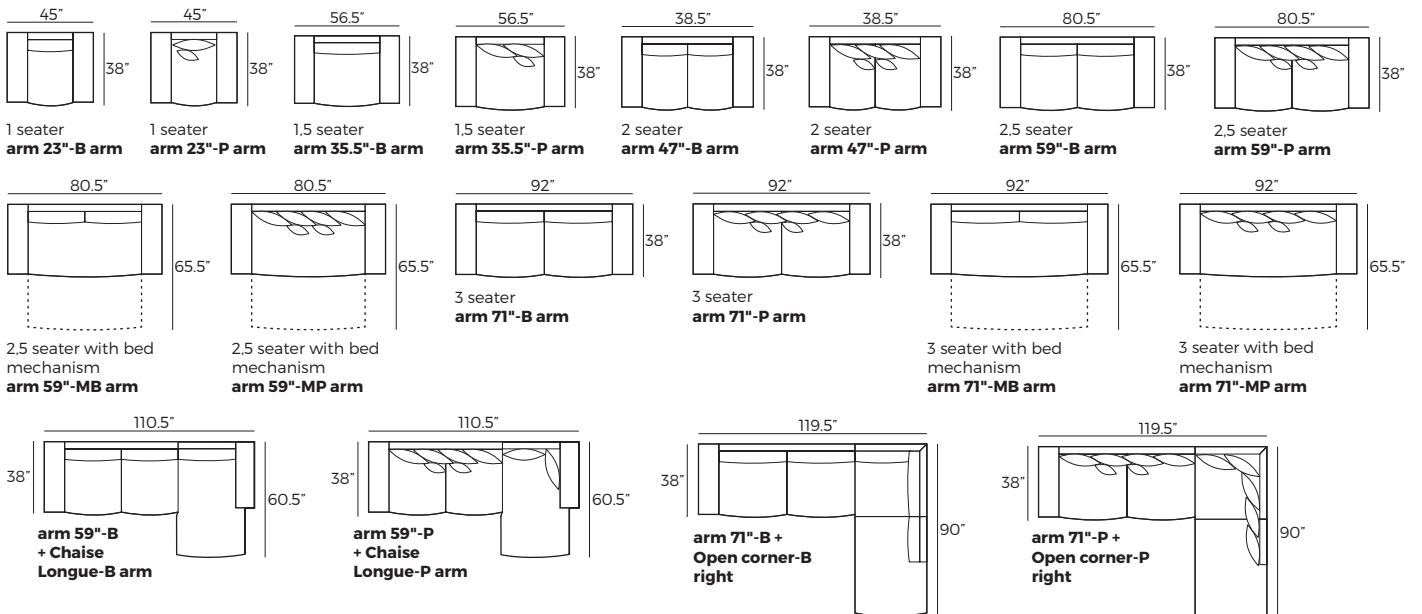
Scale 1:100



Modules with armrest (Measurements with BOSTON armrest)



Combinations (Measurements with BOSTON armrest)



Accessories

Scale 1:100

