

CAROLINA

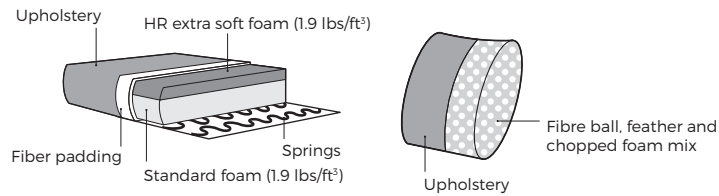


VILMERS

CAROLINA



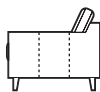
Comfort



1. Upholstery



Leather*



Fabric

* Leather upholstery may require more stitches than fabric upholstery.

2. Armrests



OMEGA

W 1" x D 37.5" x H 25"



FLATY

W 5.5" x D 37.5" x H 25"



BENTO

W 8" x D 37.5" x H 23"

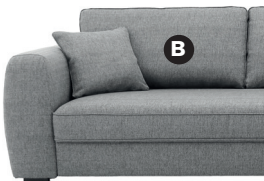


STREET

W 10" x D 37.5" x H 25"

*Not suitable for chaise longue

3. Choose cushions



Cushion **B**



Cushion **P**

4. Multicolour option



5. Legs



282 Oak

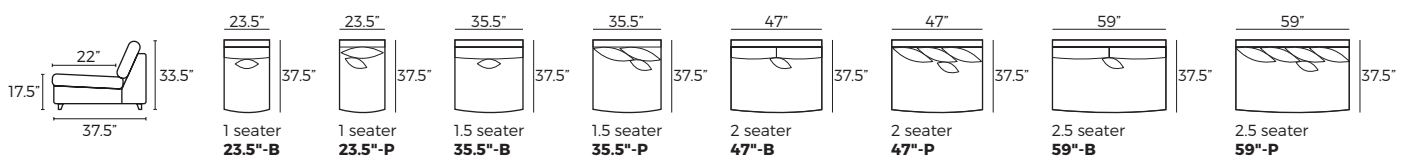
Black

IMPORTANT:

Upholstered furniture is handmade using soft materials, therefore measurements can vary in all modules by up to +/- 1".
Modules and combinations shown in 2D drawings are left-sided. Modules and combinations can be mirrored from left to right.

Modules (Measurements with STREET armrest)

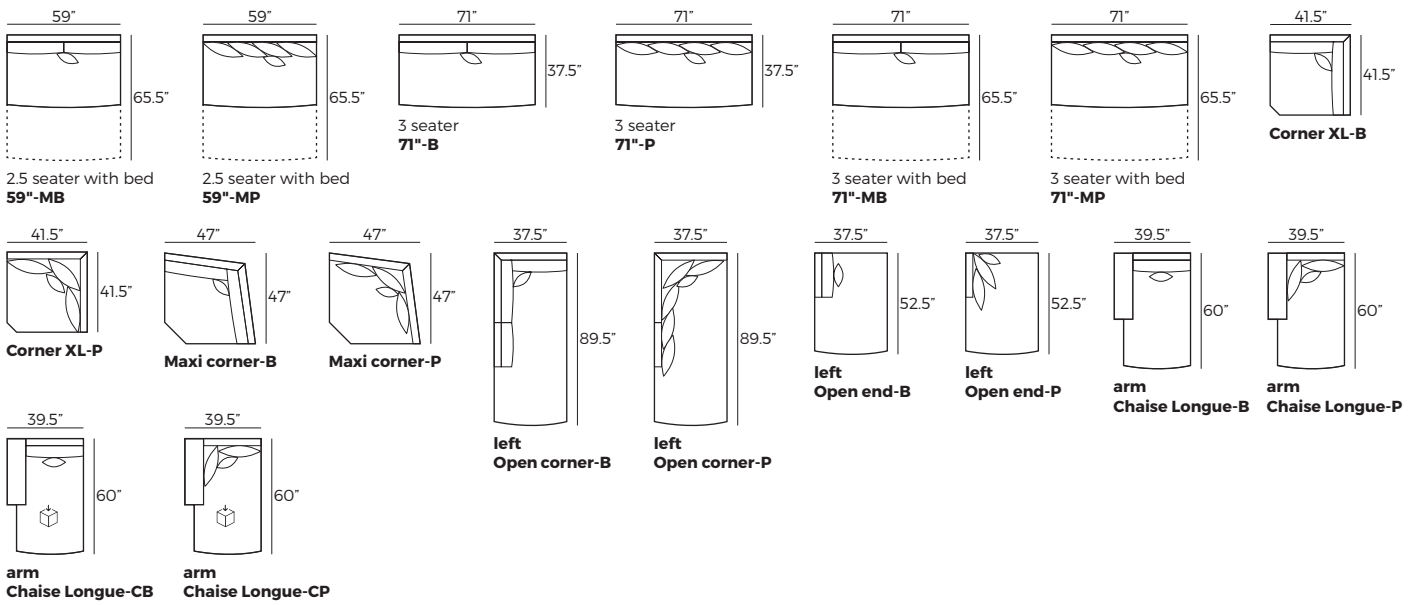
Scale 1:100



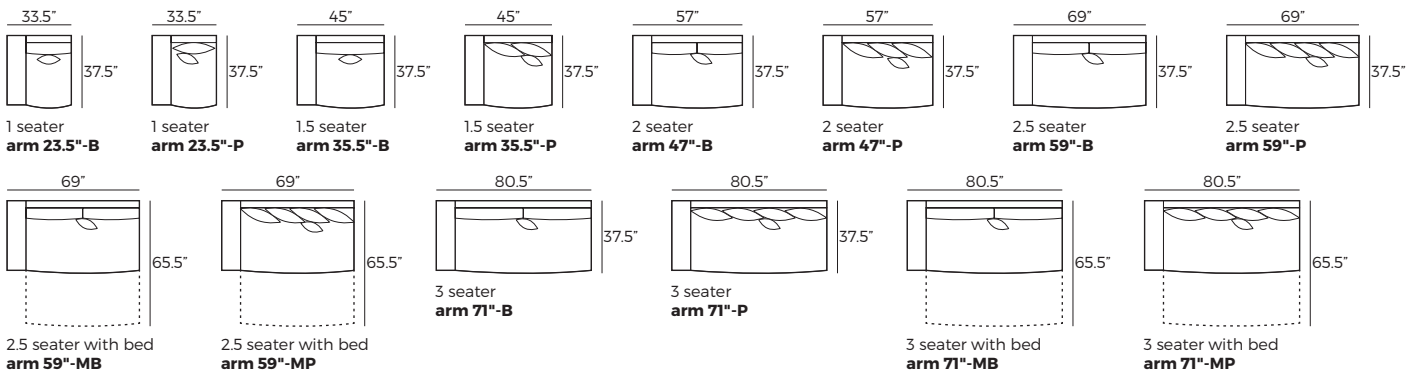
CAROLINA

Modules (Measurements with STREET armrest)

Scale 1:100



Modules with armrest (Measurements with STREET armrest)



Combinations (Measurements with STREET armrest)

