

# GOYA

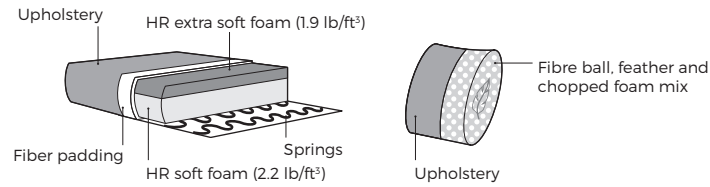


# VILMERS

# GOYA



## Comfort



### 1. Upholstery



Leather \*



Fabric

\* Leather upholstery may require more stitches than fabric upholstery.

### 2. Legs



475  
Black  
metal



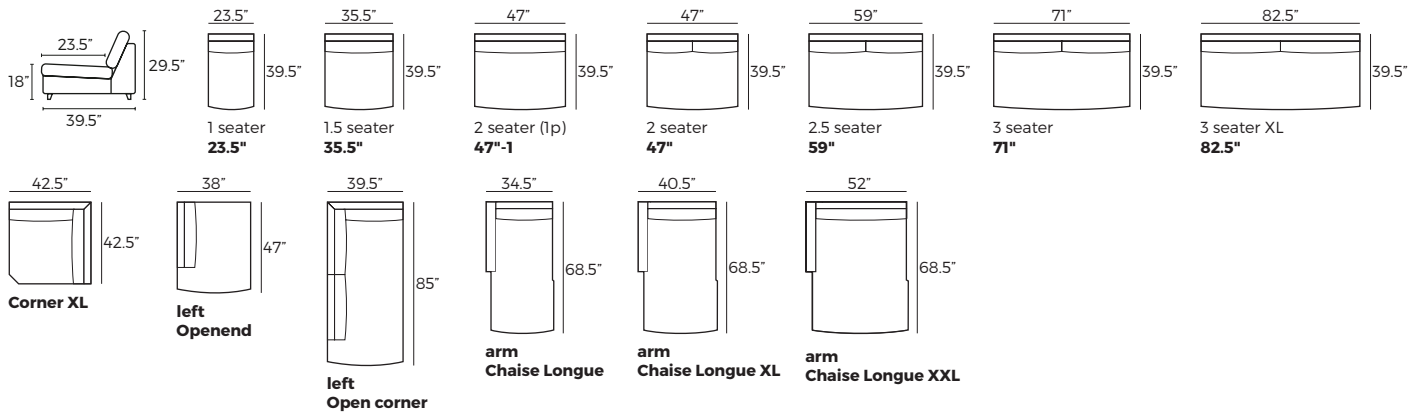
389  
Black  
metal

#### IMPORTANT:

Upholstered furniture is handmade using soft materials, therefore measurements can vary in all modules by up to +/- 1".  
Modules and combinations shown in 2D drawings are left-sided. Modules and combinations can be mirrored from left to right.  
The standard leg is 6".

## Modules

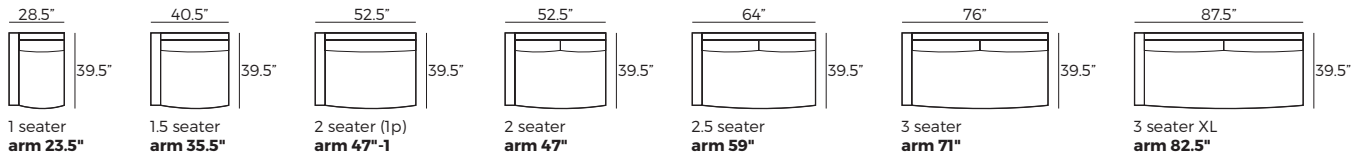
Scale 1:100



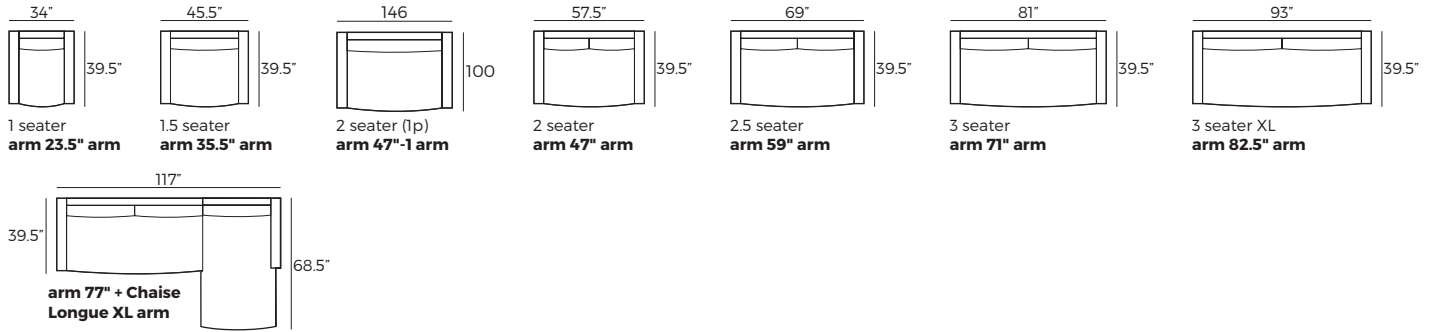
# GOYA

## Modules with armrest

Scale 1:100



## Combinations



## Accessories

