

INGA



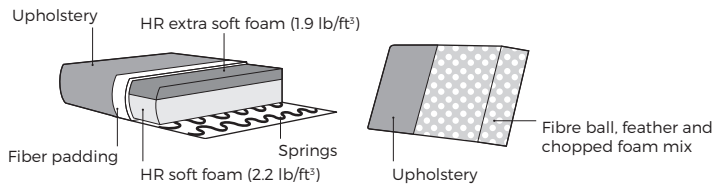
VILMERS

INGA



Comfort

1. Upholstery



* Leather upholstery may require more stitches than fabric upholstery.

2. Armrests

3. Legs



1
W 7" x D 35.5" x H 21"

2
W 7.5" x D 35.5" x H 21"

3
W 6.5" x D 35.5" x H 21"

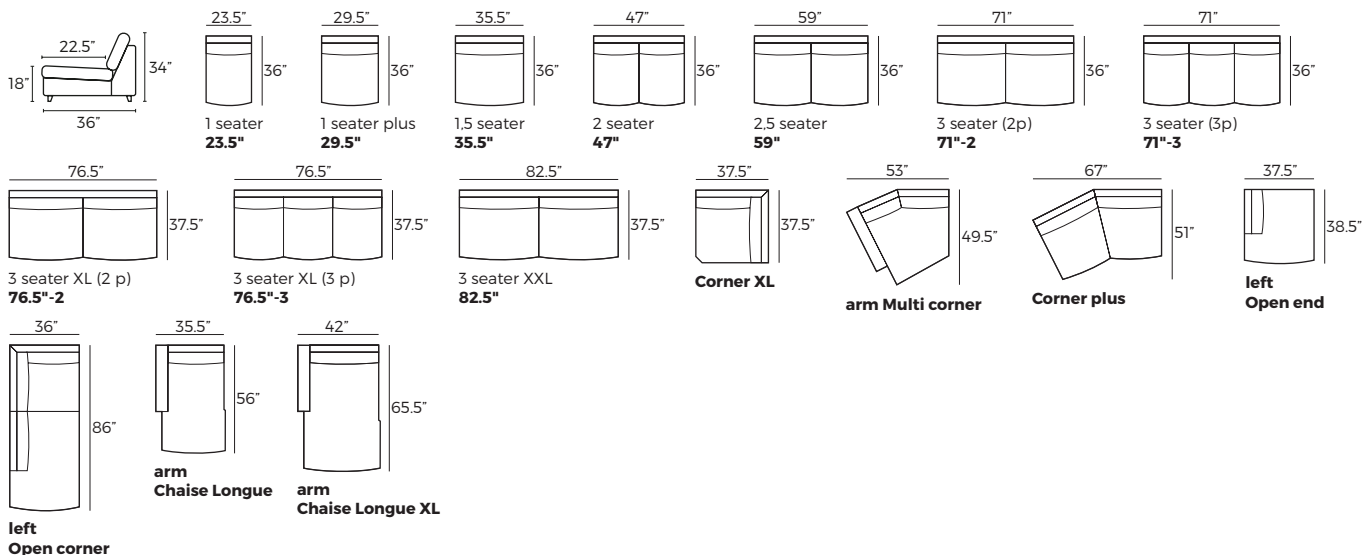


IMPORTANT:

Upholstered furniture is handmade using soft materials, therefore measurements can vary in all modules by up to +/- 1".
Modules and combinations shown in 2D drawings are left-sided. Modules and combinations can be mirrored from left to right.

Modules (Measurements with 3 armrest)

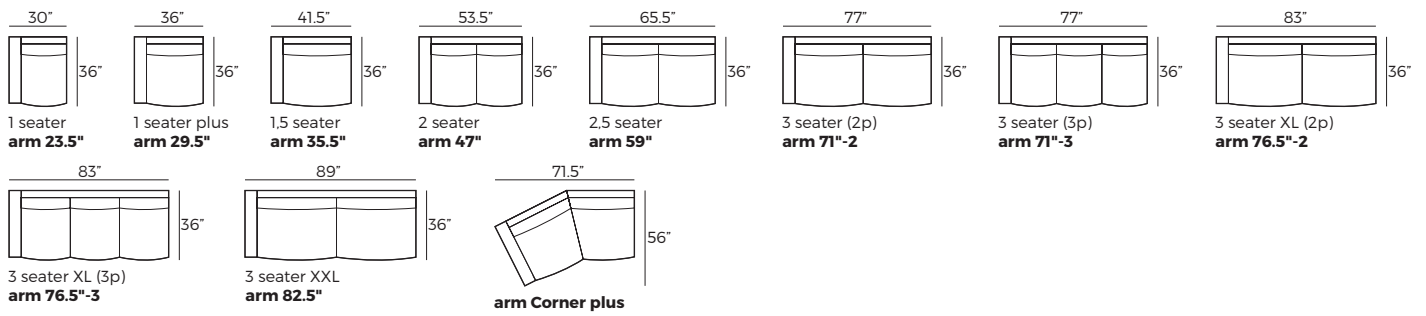
Scale 1:100



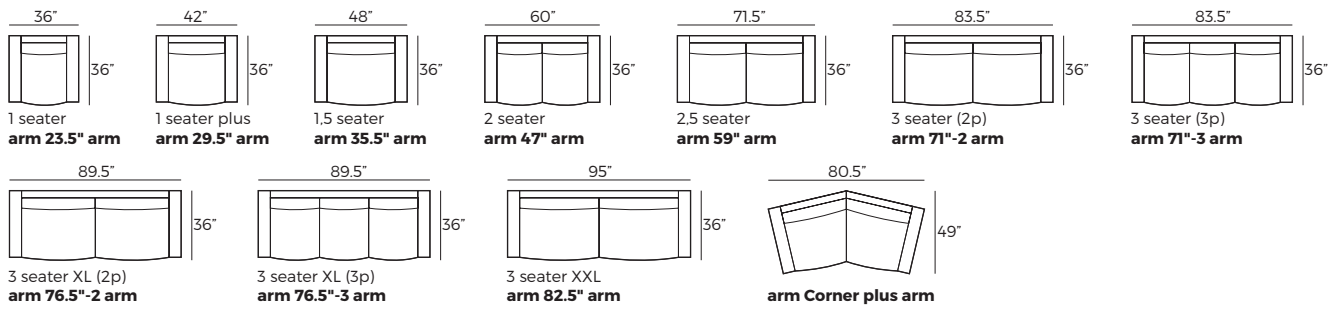
INGA

Modules with armrest (Measurements with 3 armrest)

Scale 1:100



Combinations (Measurements with 3 armrest)



Accessories

