

# MEADOW

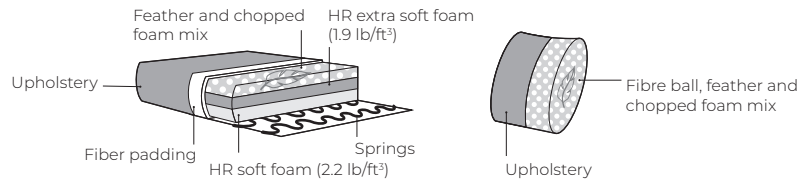


VILMERS

# MEADOW



## Comfort



### 1. Upholstery



Leather

Fabric

\* Leather upholstery may require more stitches than fabric upholstery.

### 2. Armrests



**1. MORGA**

W 11" x D 41.5" x H 26"

**2. MOSS**

W 14" x D 42" x H 26"

**3. KNOLL**

W 15" x D 41.5" x H 26"

### 3. Legs



1.5"

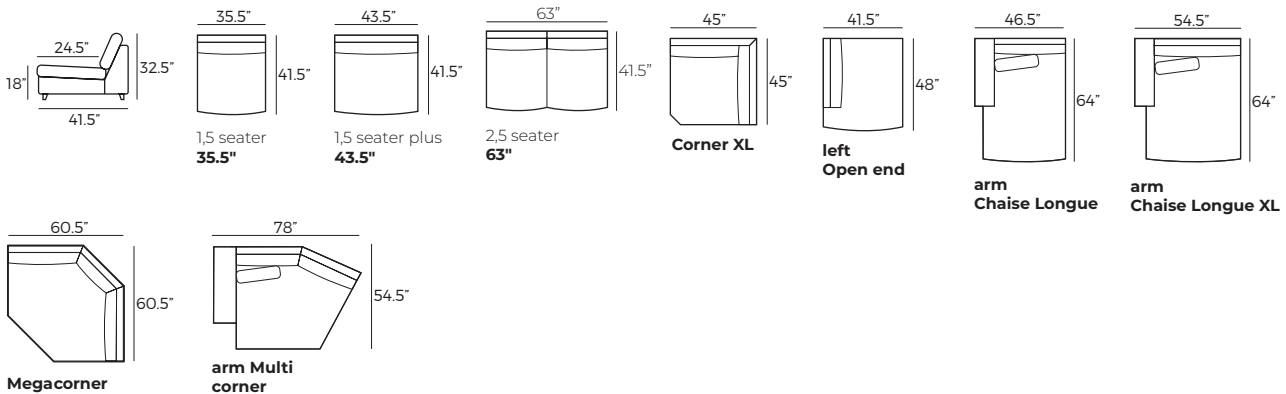
489  
Plastic

#### IMPORTANT:

Upholstered furniture is handmade using soft materials therefore measurements may vary up to  $\pm 1"$ .  
Parts and sets shown in 2D drawings are left-sided. Parts and sets can be mirrored from left to right.

## Modules (Measurements with MORGA armrest)

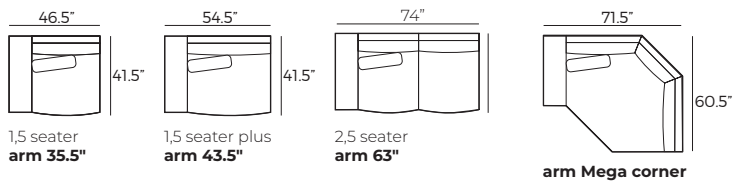
Scale 1:100



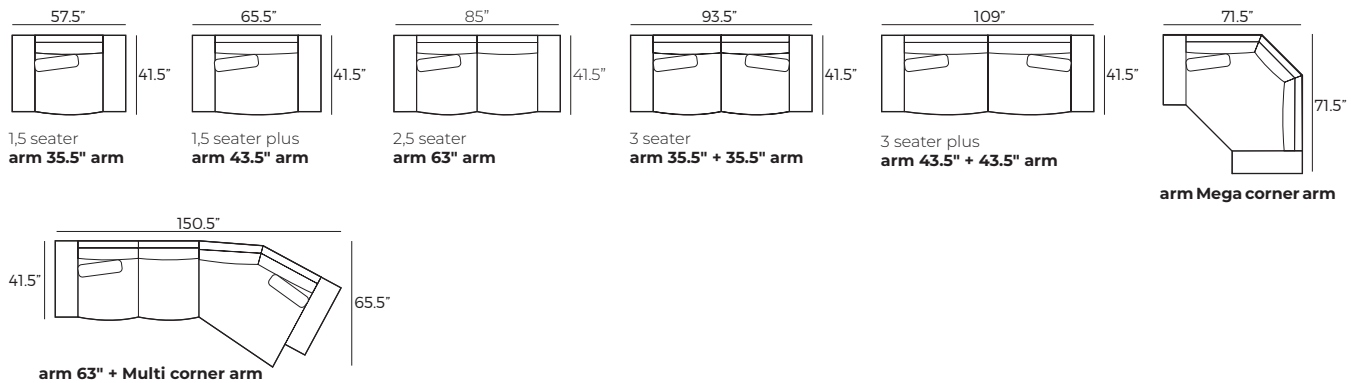
# MEADOW

## Modules with armrest (Measurements with MORGA armrest)

Scale 1:100



## Combinations (Measurements with MORGA armrest)



## Accessories

