

# MORE

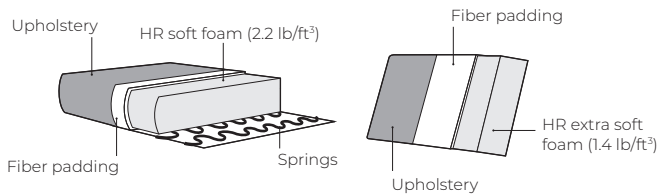


# VILMERS

# MORE



## Comfort



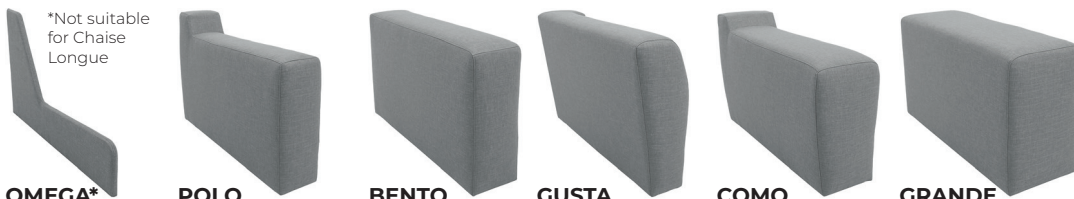
## 1. Upholstery



\* Leather upholstery may require more stitches than fabric upholstery.

## 2. Armrests

\*Not suitable for Chaise Longue

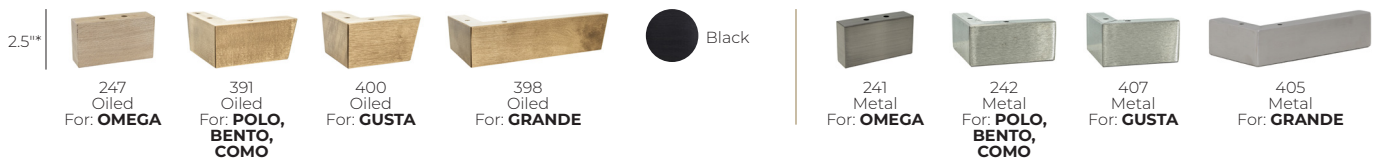


W 1" x D 37.5" x H 25.5" W 6.5" x D 37.5" x H 20.5" W 8" x D 37.5" x H 27" W 8.5" x D 37.5" x H 26" W 11.5" x D 37.5" x H 22" W 12" x D 37.5" x H 22.5"

## 3. Multicolour option



## 4. Legs



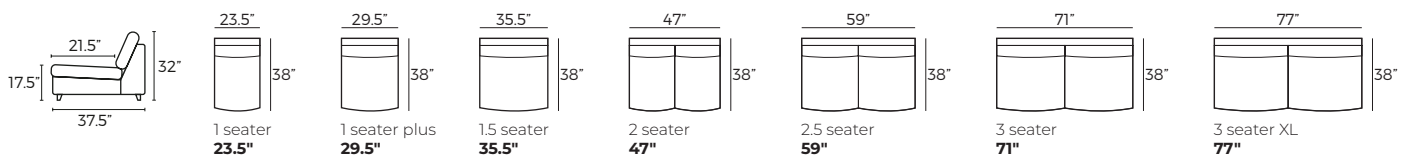
\* The height of all legs can be either 2.5" or 3".

### IMPORTANT:

Upholstered furniture is handmade using soft materials, therefore measurements can vary in all modules by up to +/- 1".  
 Modules and combinations shown in 2D drawings are left-sided. Modules and combinations can be mirrored from left to right.  
 For an additional fee, the sides of each seater module can be covered in fabric.

## Modules (Measurements with GRANDE armrest)

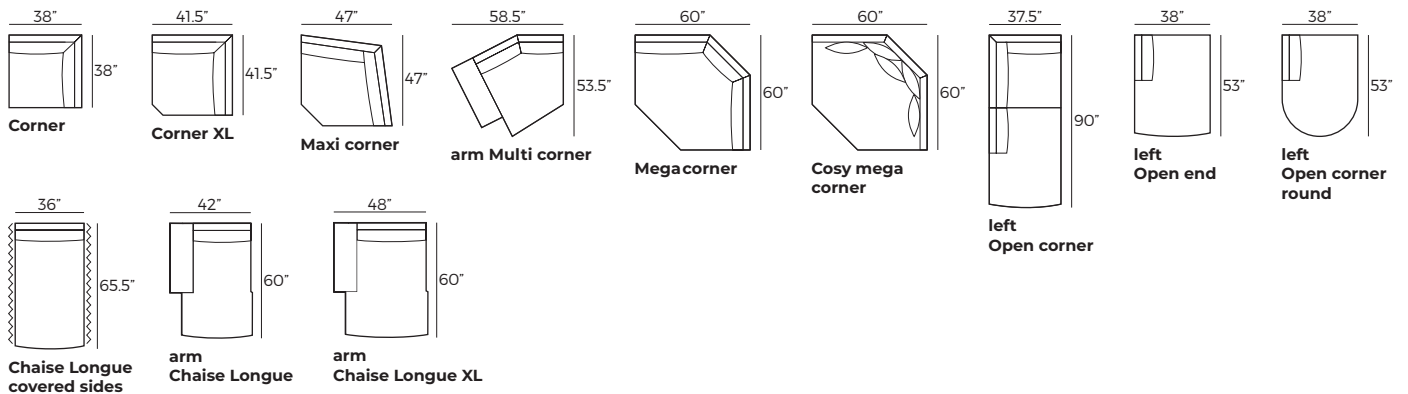
Scale 1:100



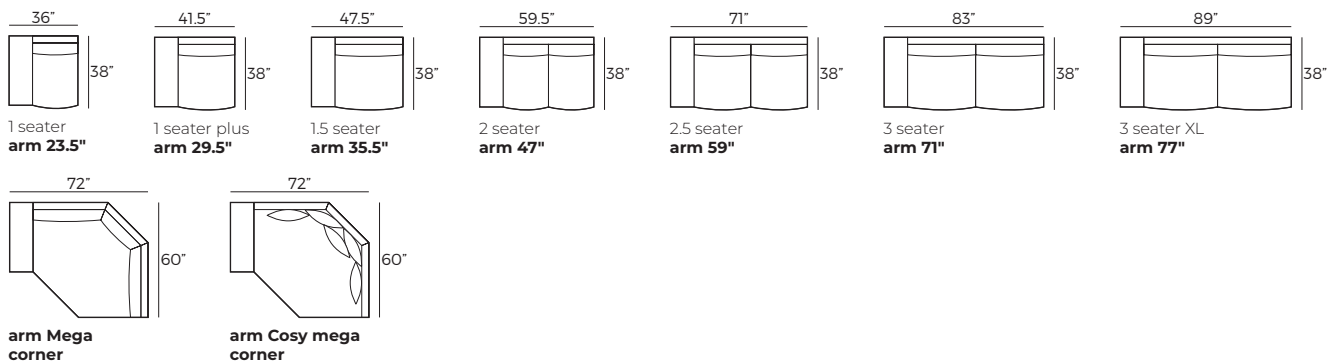
# MORE

## Modules (Measurements with GRANDE armrest)

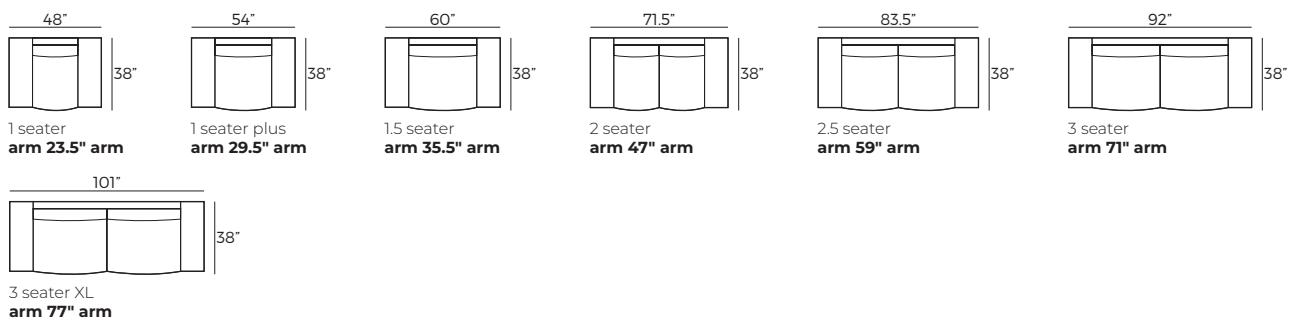
Scale 1:100



## Modules with armrest (Measurements with GRANDE armrest)



## Combinations (Measurements with GRANDE armrest)



## Accessories

