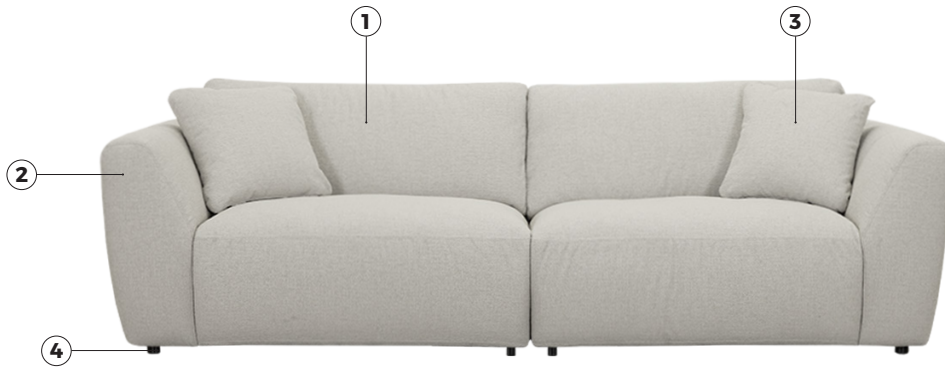


MORGA

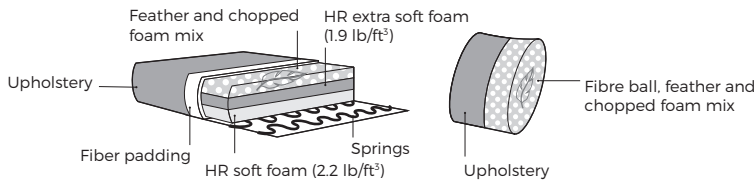


VILMERS

MORGA



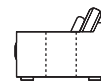
Comfort



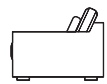
1. Upholstery



Leather



Fabric



* Leather upholstery may require more stitches than fabric upholstery.

2. Armrests



1. MORGA
W 11" x D 41.5" x H 26"



2. MOSS
W 14" x D 41.5" x H 26"



3. KNOLL
W 15" x D 41.5" x H 26"

3. Multicolour option



4. Legs

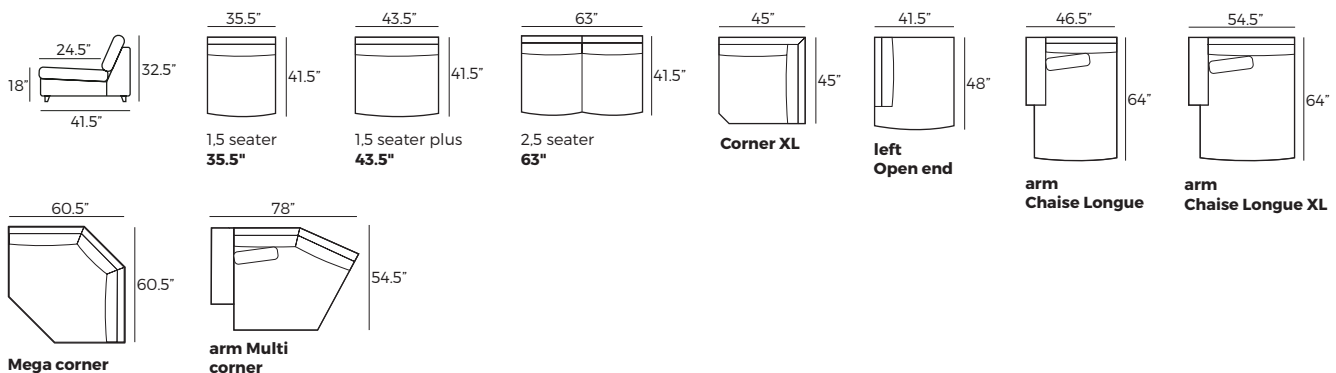


IMPORTANT:

Upholstered furniture is handmade using soft materials, therefore measurements can vary in all modules by up to +/- 1".
Modules and combinations shown in 2D drawings are left-sided. Modules and combinations can be mirrored from left to right.

Modules (Measurements with MORGA armrest)

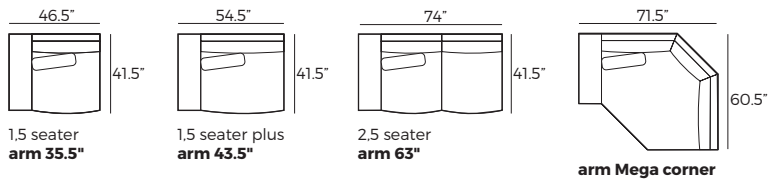
Scale 1:100



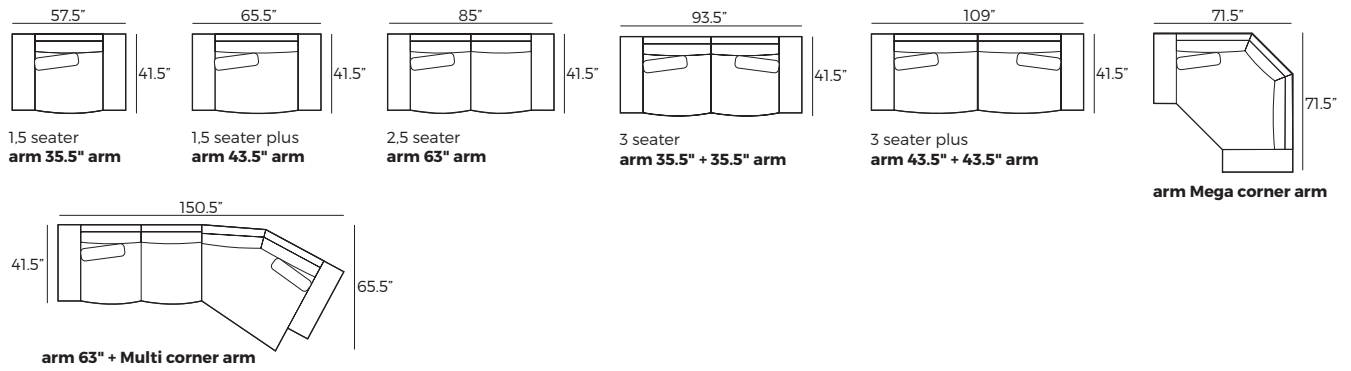
MORGA

Scale 1:100

Modules (Measurements with MORGA armrest)



Combinations (Measurements with MORGA armrest)



Accessories

