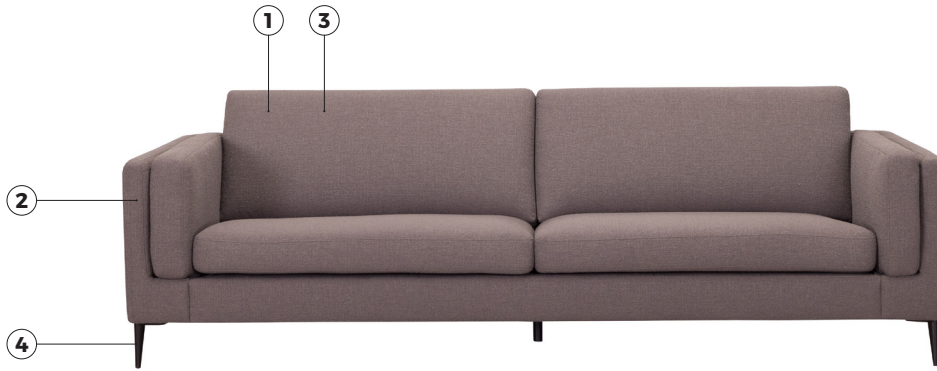


NORDIC

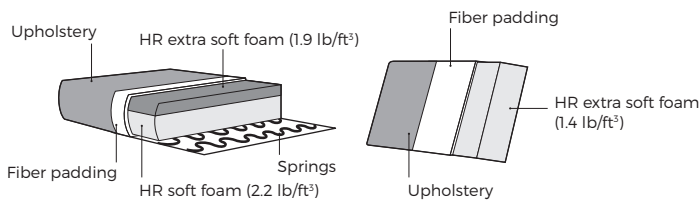


VILMERS

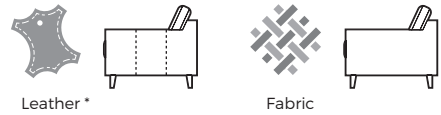
NORDIC



Comfort



1. Upholstery



* Leather upholstery may require more stitches than fabric upholstery.

2. Armrests



W1" x D35.5" x H21" W3.5" x D35.5" x H21" W3.5" x D35.5" x H21" W4.5" x D35.5" x H21" W4.5" x D35.5" x H19" W5" x D35.5" x H21" W6" x D35.5" x H19" W8" x D35.5" x H21" W8" x D35.5" x H19"

3. Multicolour option



4. Legs

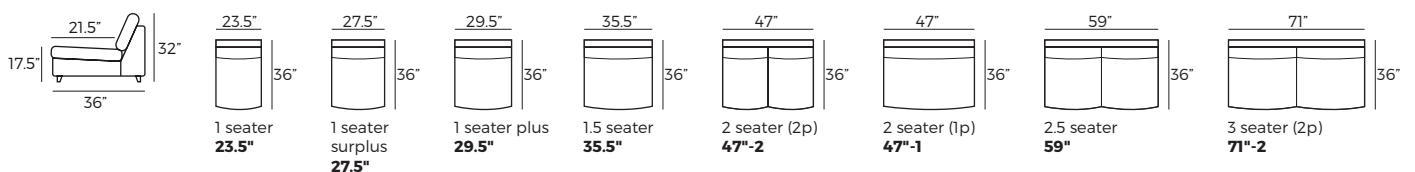


IMPORTANT:

Upholstered furniture is handmade using soft materials, therefore measurements can vary in all modules by up to +/- 1".
 Modules and combinations shown in 2D drawings are left-sided. Modules and combinations can be mirrored from left to right.
 For an additional fee, the sides of each seater module can be covered in fabric.

Modules (Measurements with SHARE armrest)

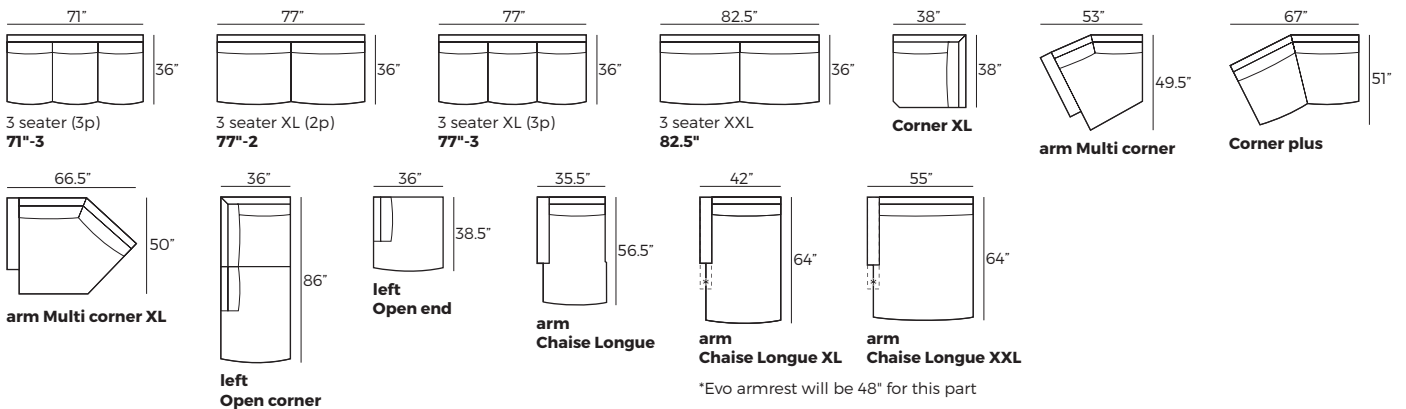
Scale 1:100



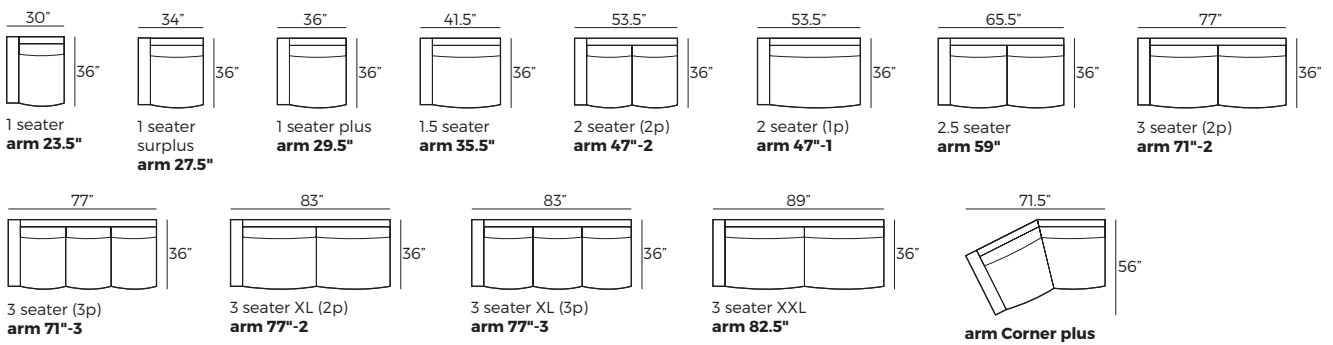
NORDIC

Modules (Measurements with SHARE armrest)

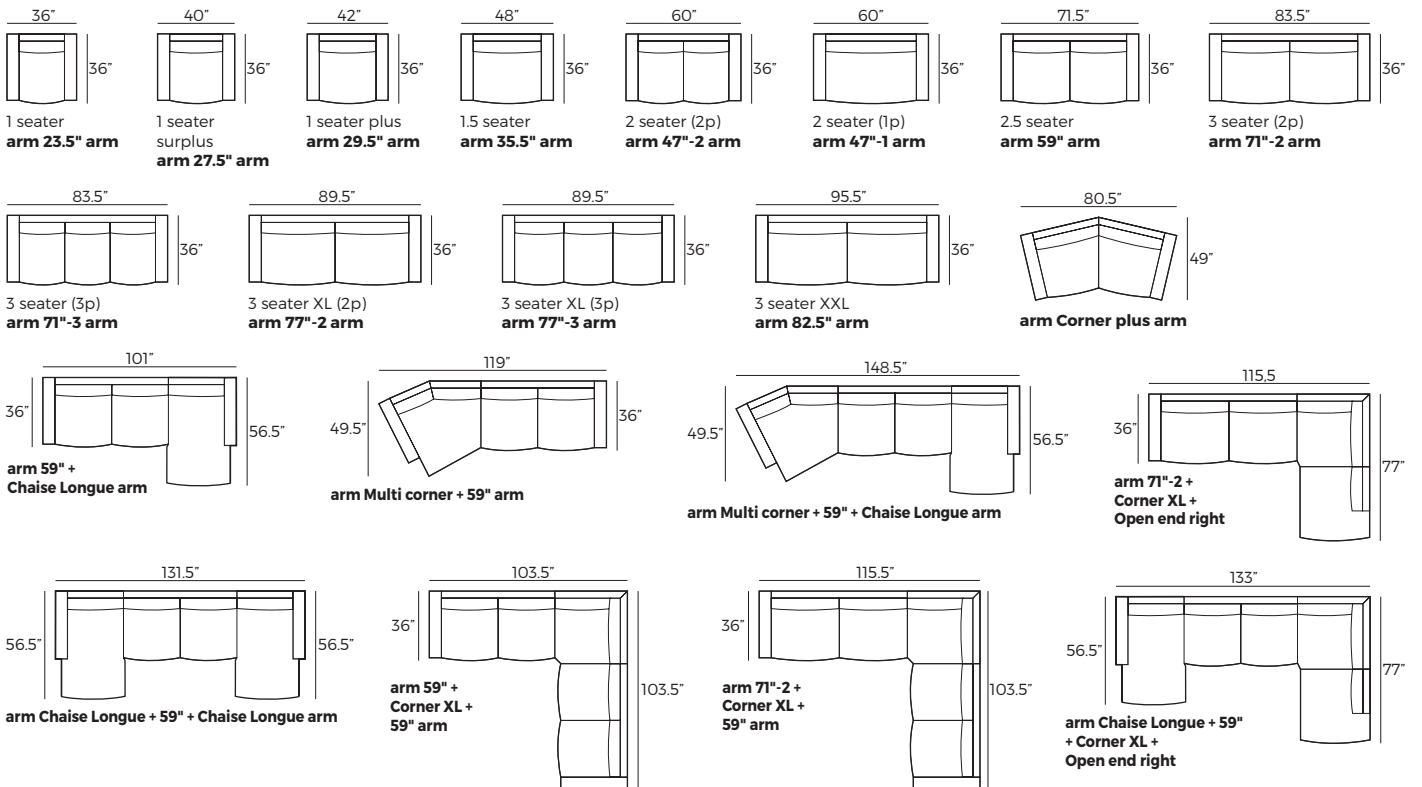
Scale 1:100



Modules with armrest (Measurements with SHARE armrest)



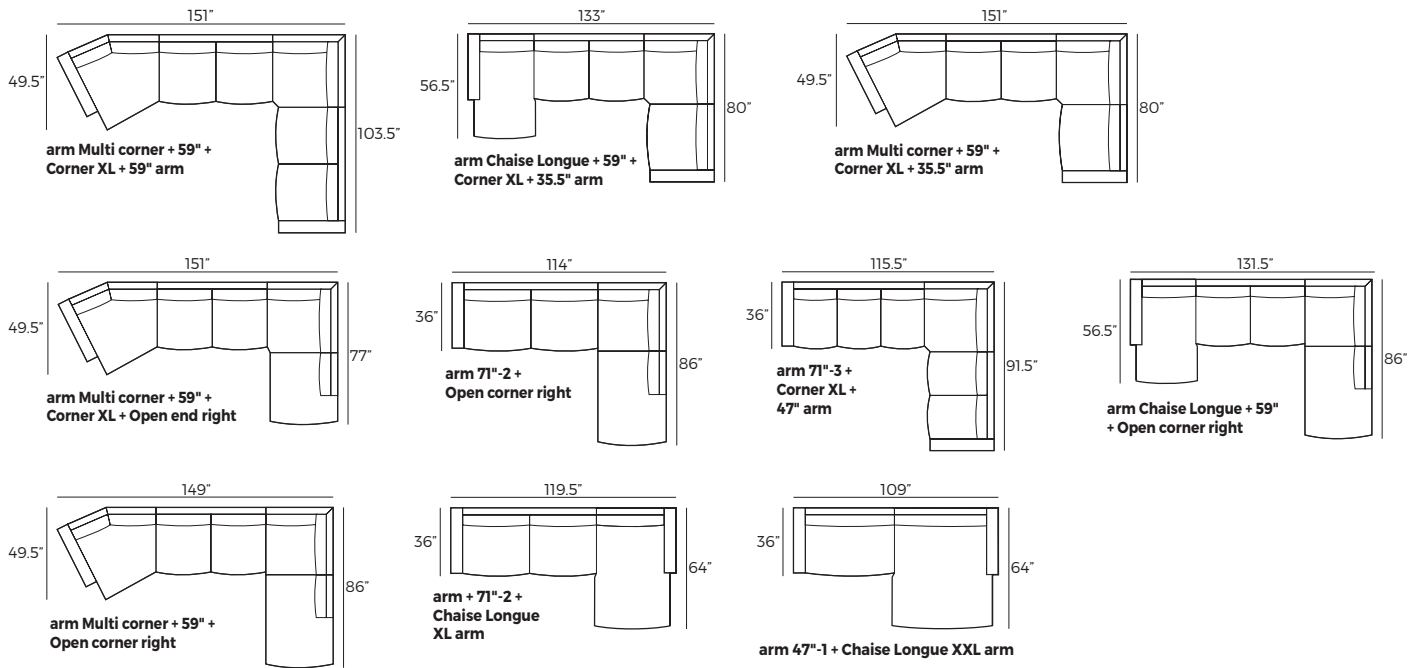
Combinations (Measurements with SHARE armrest)



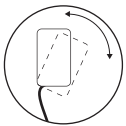
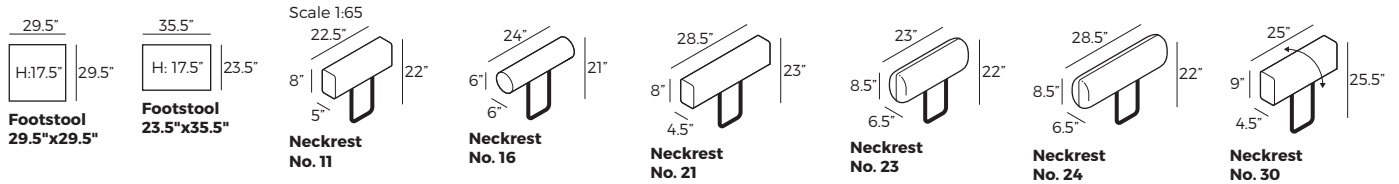
NORDIC

Combinations (Measurements with SHARE armrest)

Scale 1:100



Accessories



With click-clack function