

# SPRING

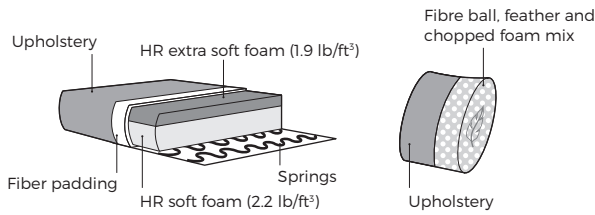


VILMERS

# SPRING



## Comfort



## 1. Upholstery



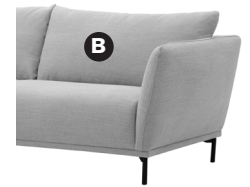
Fabric

## 2. Choose cushions

Multi corner



Cushion P

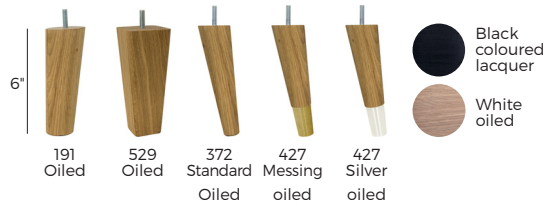


Cushion B

## 3. Multicolour option



## 4. Legs



475 Black metal



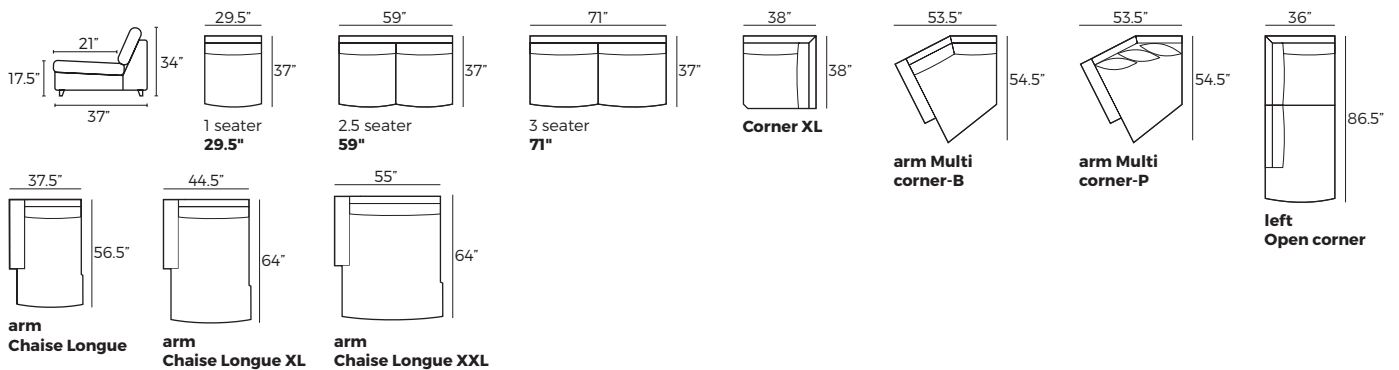
385 Black metal

### IMPORTANT:

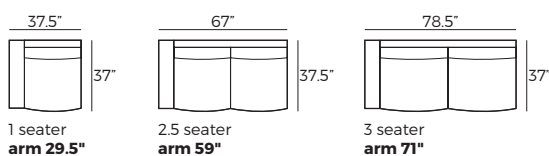
Upholstered furniture is handmade using soft materials, therefore measurements can vary in all modules by up to +/- 1". Modules and combinations shown in 2D drawings are left-sided. Modules and combinations can be mirrored from left to right.

## Modules

Scale 1:100



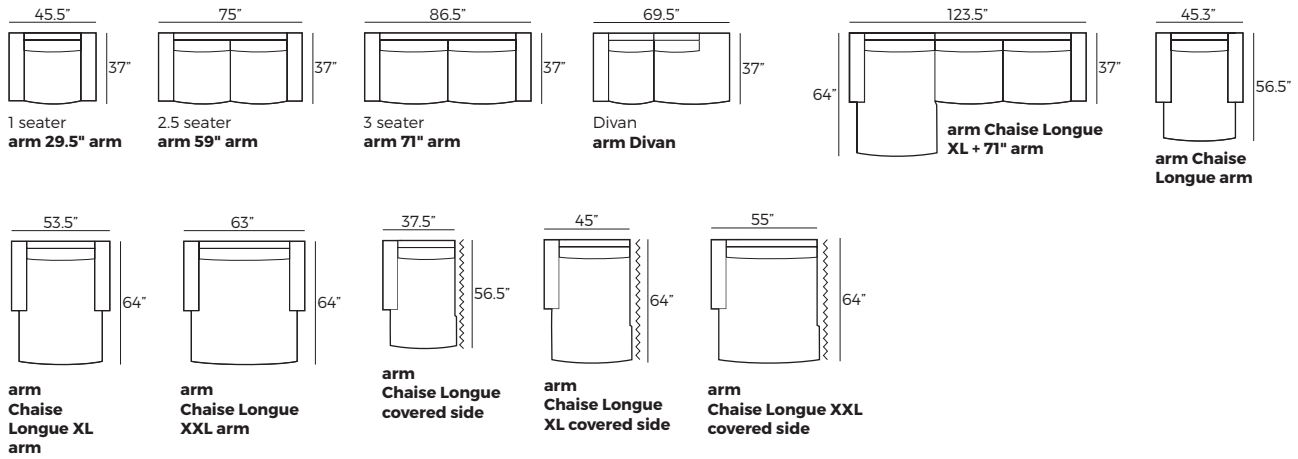
## Modules with armrest



# SPRING

## Combinations

Scale 1:100



## Accessories

