

TAILOR S

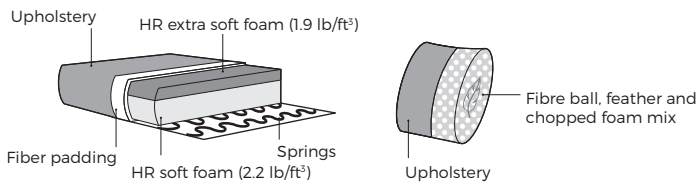


VILMERS

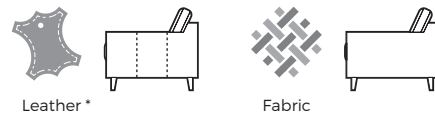
TAILOR S



Comfort

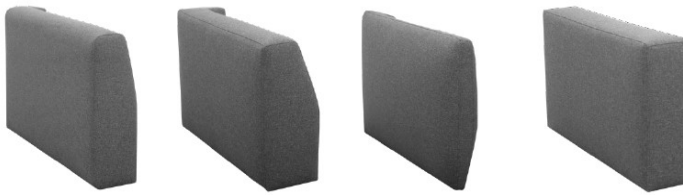


1. Upholstery



* Leather upholstery may require more stitches than fabric upholstery.

2. Armrests



STREET (2) W 9" x D 39" x H 19" **OBLIK (3)** W 10.5" x D 39" x H 20.5" **BRERA (4)** W 7" x D 39" x H 20.5" **PINTO (5)** W 7" x D 39" x H 18"

3. Legs

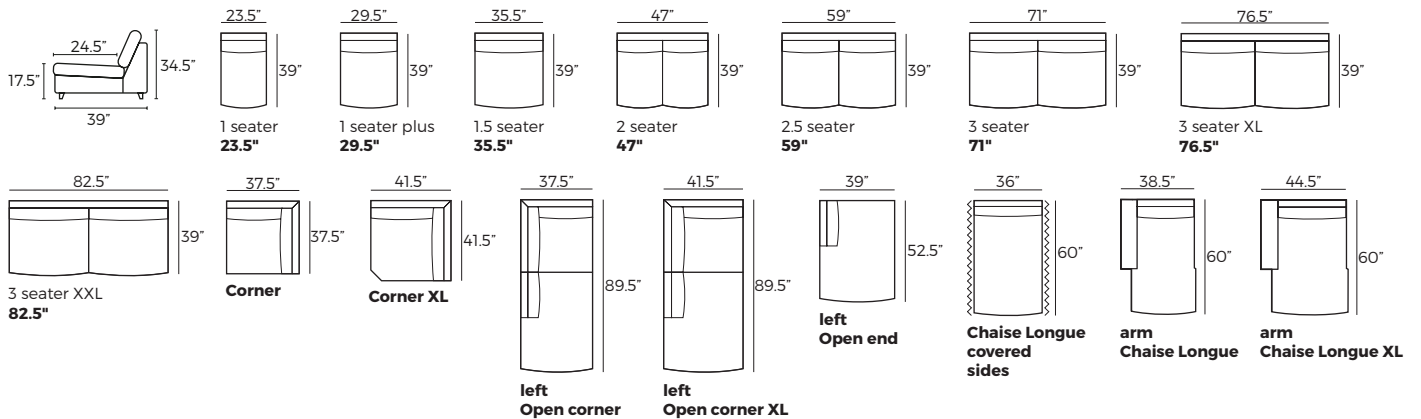


IMPORTANT:

Upholstered furniture is handmade using soft materials, therefore measurements can vary in all modules by up to +/-1".
 Modules and combinations shown in 2D drawings are left-sided. Modules and combinations can be mirrored from left to right.
 The standard leg is 6".

Modules (Measurements with STREET armrest)

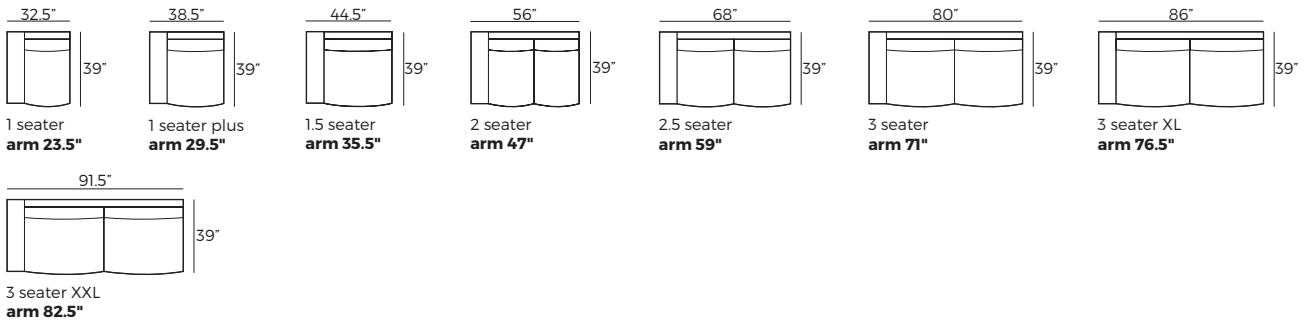
Scale 1:100



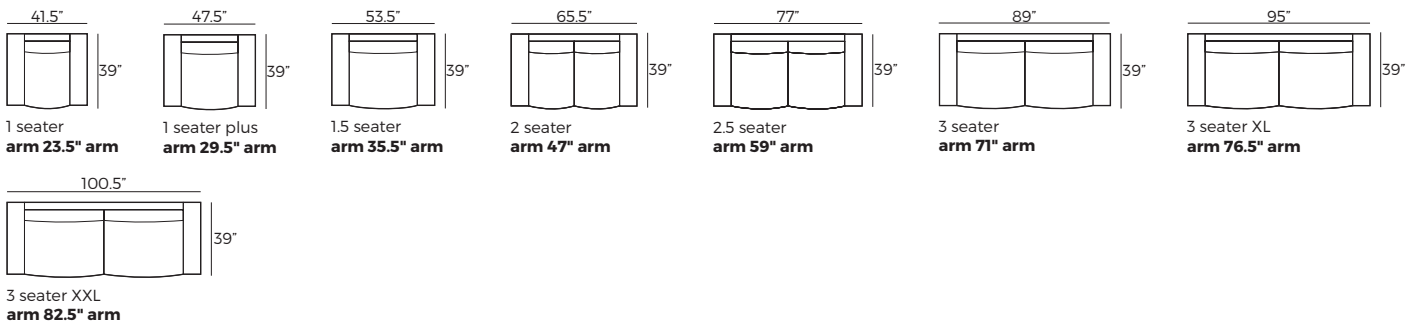
TAILOR S

Modules with armrest (Measurements with STREET armrest)

Scale 1:100



Combinations (Measurements with STREET armrest)



Accessories

