

VIU

by BÖTTCHER & KAYSER



VILMERS

vilmers.com



REST ASSURED



VIU enables a spontaneous changeability. The upholstered modules are put together according to the usage requirements and personal taste. They can be swapped or rotated as needed. In this way, new seating and reclining landscapes can be created as required in just a few simple steps. VIU can be playfully integrated into our lives.

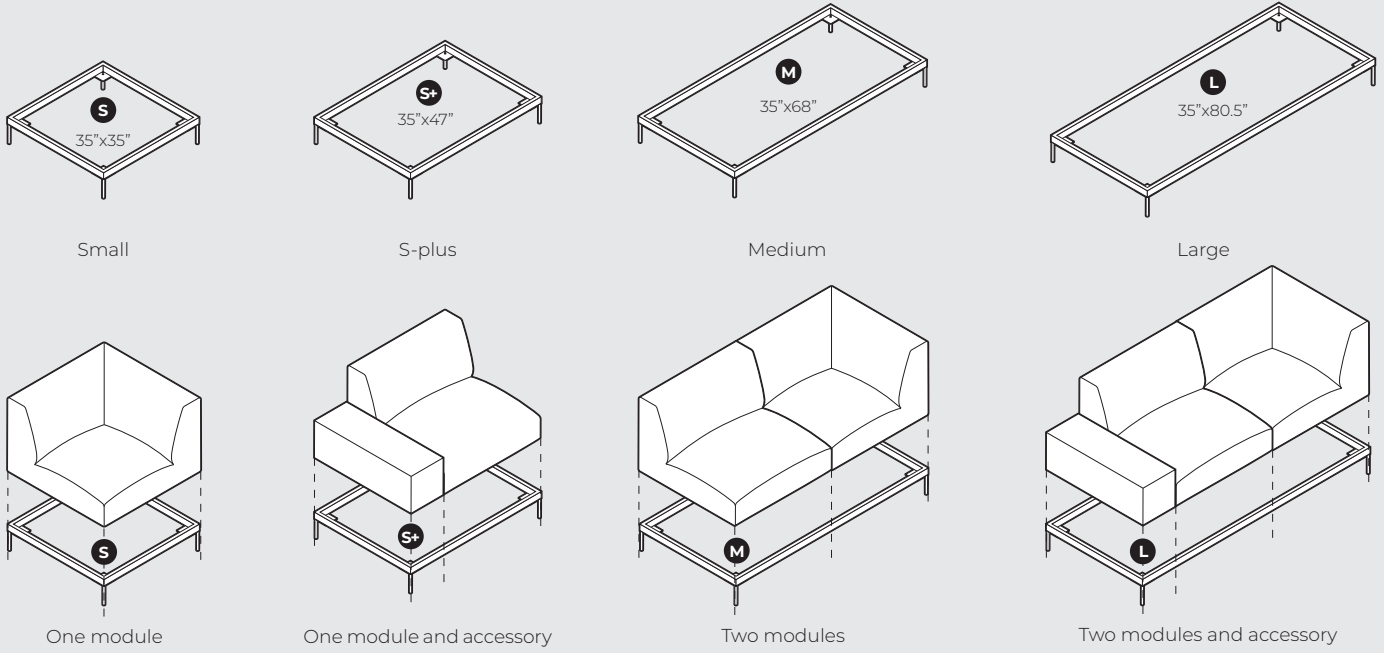


Scale 1:50

1. SINGLE FRAME PARTS

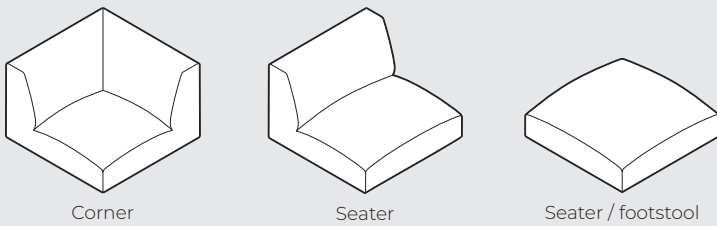
Different frames can be equipped with three different modules. Four options of frames are available, accommodating either one module, two modules one module or two modules with an accessory. The modules can be placed in any order and direction.

Scale 1:50

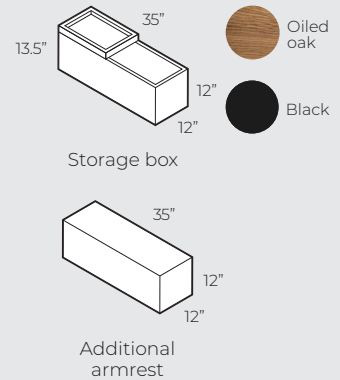


2. SINGLE MODULE PARTS

The base size of all modules is 35"x35".



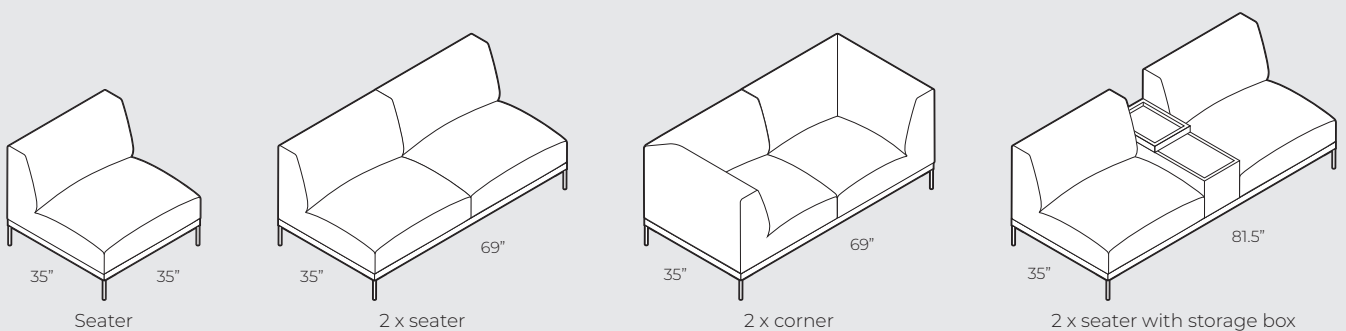
3. ACCESSORIES



Scale 1:50

4. SUGGESTED COMBINATIONS

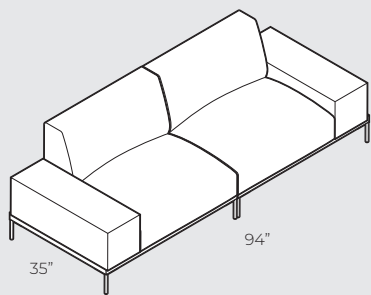
IMPORTANT! Upholstered furniture is handmade using soft materials, therefore measurements may vary up to +/- 1".



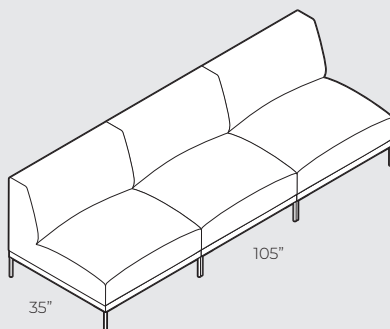


4. SUGGESTED COMBINATIONS

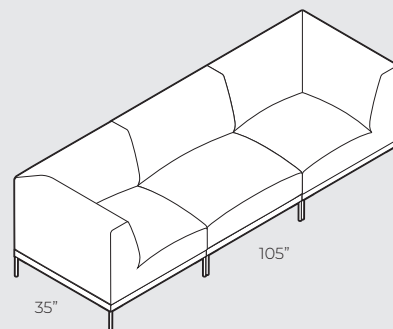
IMPORTANT! Upholstered furniture is handmade using soft materials, therefore measurements may vary up to +/- 1".



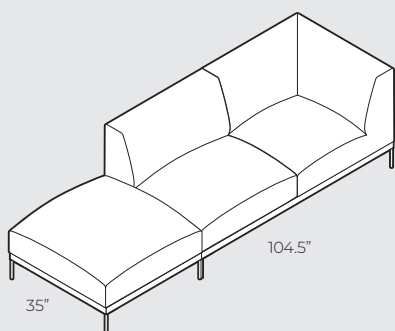
2 x seater +
2 x additional armrest



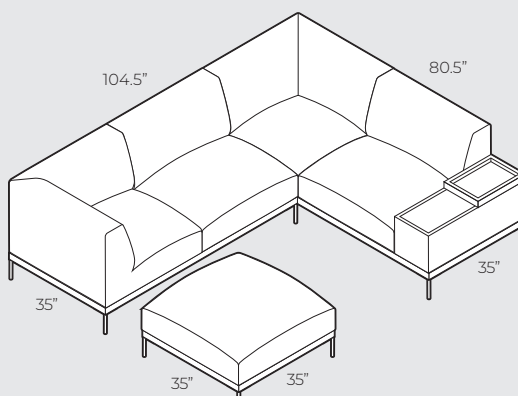
3 x seater



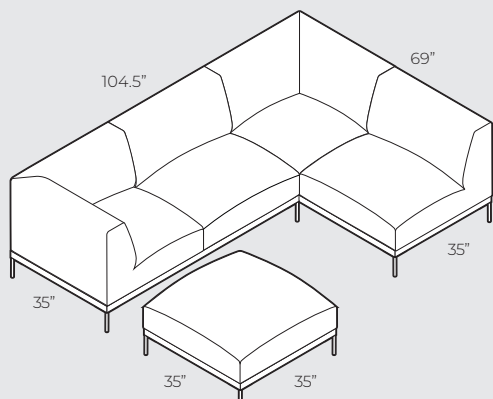
2 x corner + 1 seater



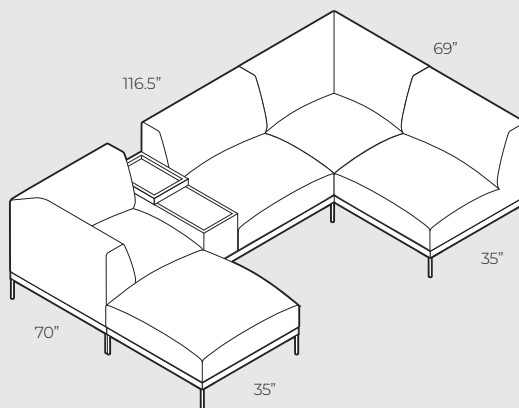
1 x footstool + 1 x seater + 1 x corner



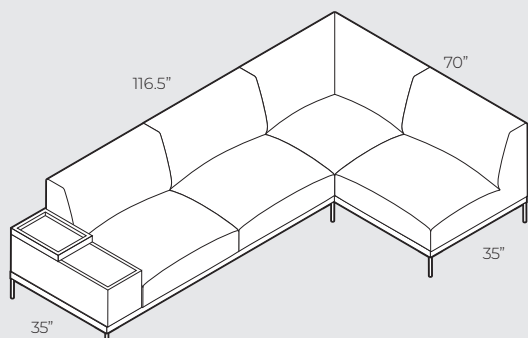
2 x corner + 2 x seater + 1 x storage box + 1 x footstool



2 x corner + 2 x seater + 1 x footstool



2 x corner + 2 x seater + 1 x footstool + 1 x storage box



1 x corner + 3 x seater + 1 x storage box

REST ASSURED

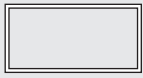


Scale 1:100

5. FURTHER LAYOUT EXAMPLES FROM ONE COMBINATION

IMPORTANT! Upholstered furniture is handmade using soft materials, therefore measurements may vary up to +/- 1".

Single frame parts



2x



1x

Seating modules



2x

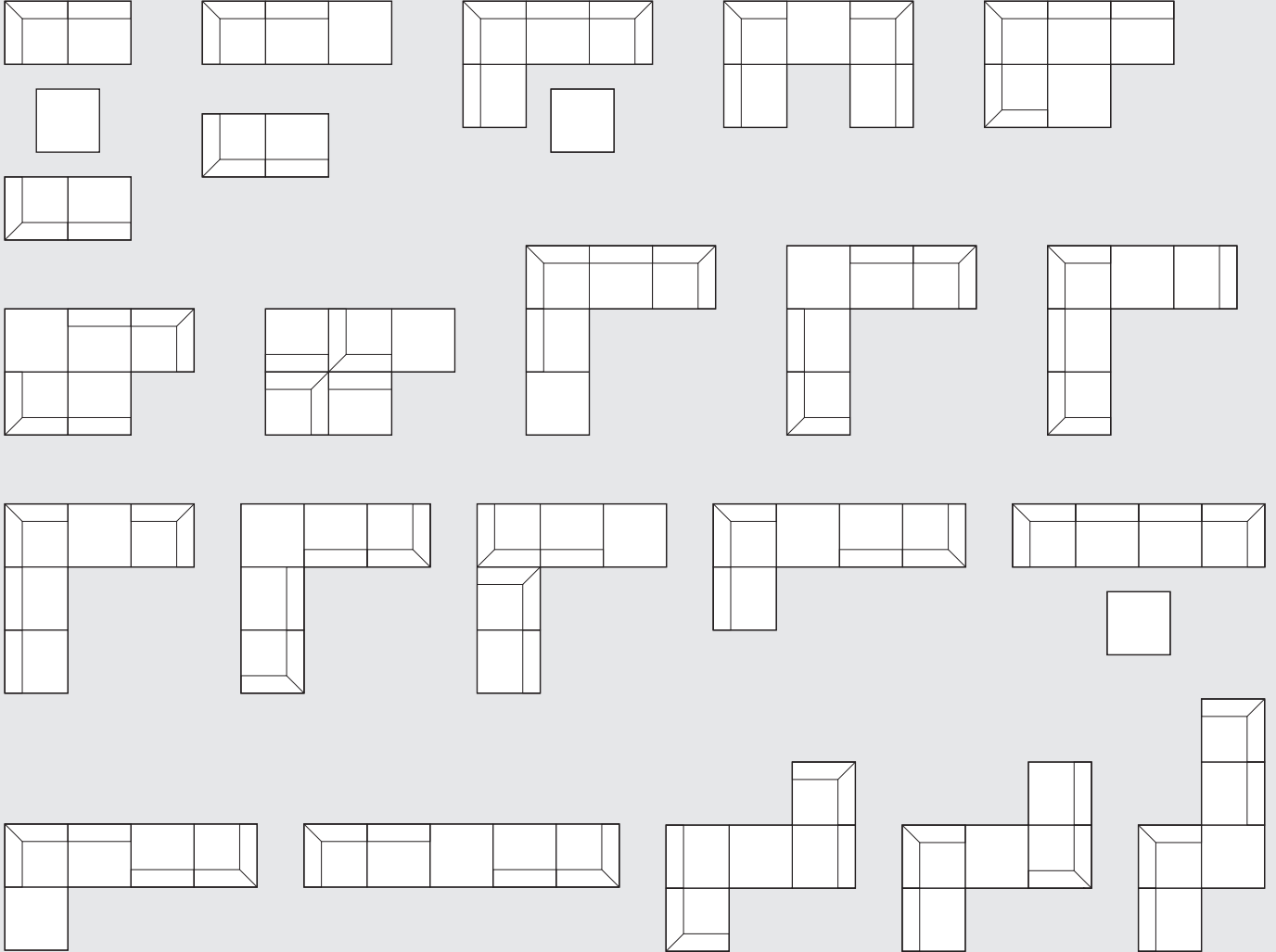


2x



1x

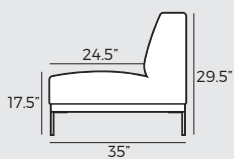
Eight elements for endless combinations and layouts according to the needs or changing environments.



REST ASSURED

6. TECHNICAL DATA

Measurements



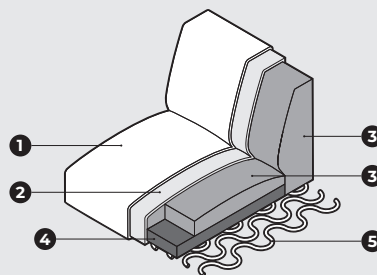
Upholstery



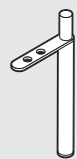
Fabric

Comfort

1. Upholstery.
2. Fiber padding.
3. HR extra soft foam (1.9 lb/m³).
4. HR soft foam (2.2 lb/m³).
5. Springs.



Legs



506
Black metal
6"



REST ASSURED

7. DESIGNERS



"Design means everyday culture. It helps us to enjoy and simplify life. We are fascinated by the process that starts with an idea, becomes substance and hopefully results in a long and pleasurable use for its qualities. That's how we understand reasonability and sustainability."

Berlin based designers
BÖTTCHER & KAYSER