

WILLOW

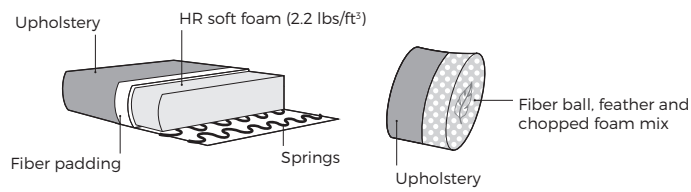


VILMERS

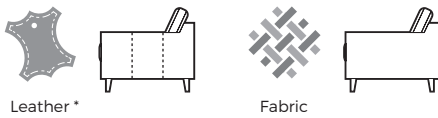
WILLOW



Comfort

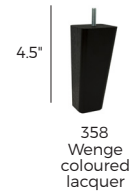


1. Upholstery



* Leather upholstery may require more stitches than fabric upholstery.

2. Legs

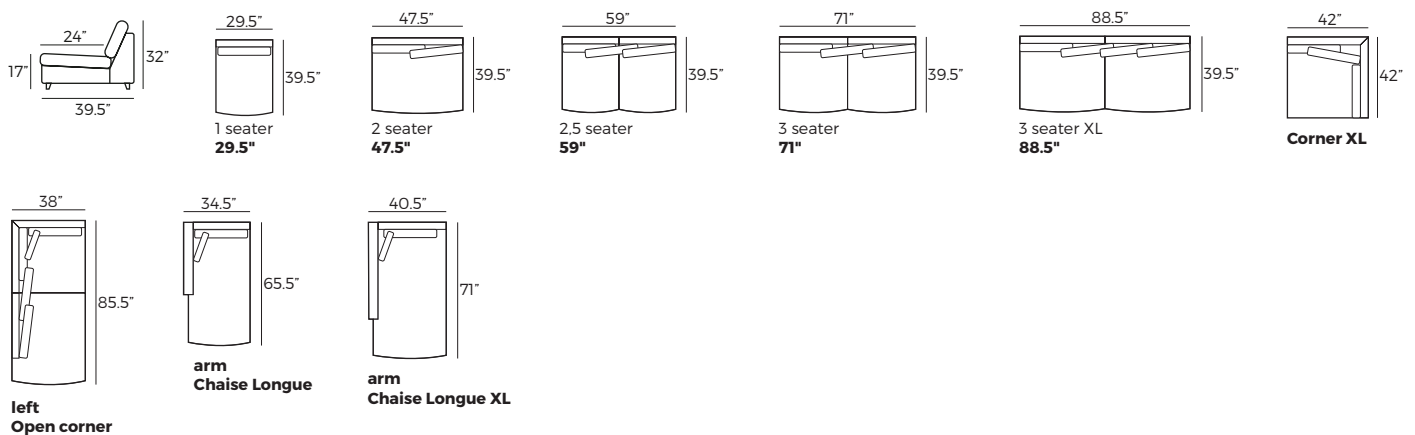


IMPORTANT:

Upholstered furniture is handmade using soft materials therefore measurements may vary up to +/- 1".
Modules and combinations shown in 2D drawings are left-sided. Modules and combinations can be mirrored from left to right.

Modules

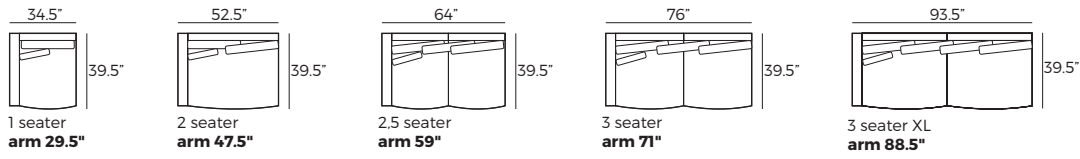
Scale 1:100



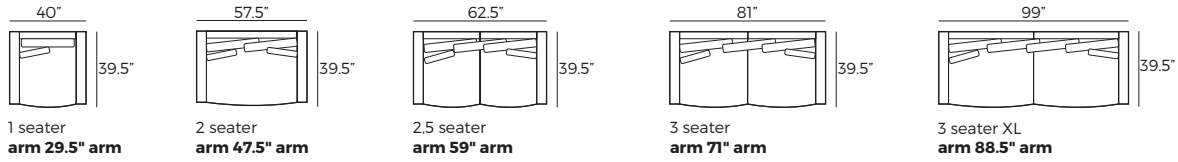
WILLOW

Modules with armrest

Scale 1:100



Combinations



Accessories

