

ASPEN



VILMERS

ASPEN



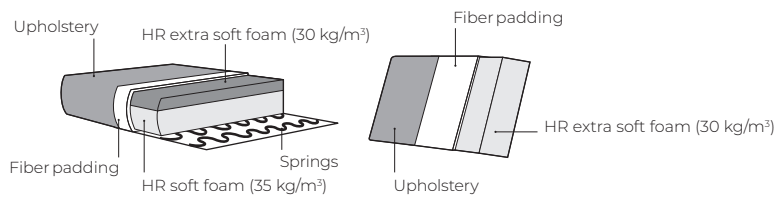
Covered sides



Fix cushions



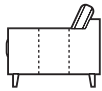
Comfort



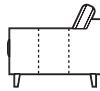
1. Upholstery



Leather*



Fabric



2. Legs



* Leather and fabric upholstery contain the same number of stitches.

IMPORTANT:

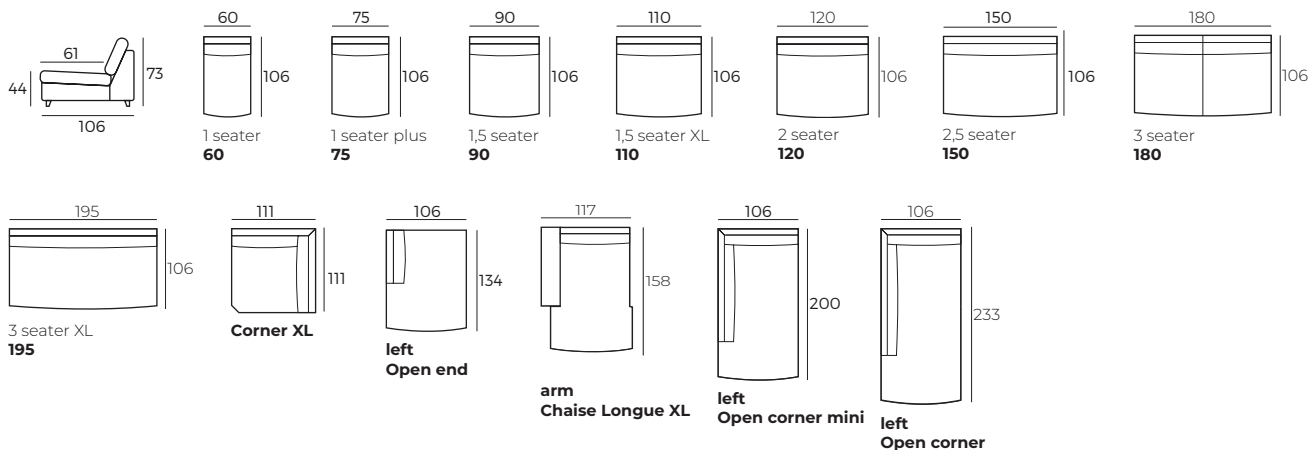
Upholstered furniture is handmade using soft materials, therefore measurements can vary in all modules by up to **+/-2 cm**.

Modules and combinations shown in 2D drawings are left-sided. Modules and combinations can be mirrored from left to right.

Each module of this product has different width of vertical seam splitting gaps, so you can get an uneven visual appearance when connecting different modules.

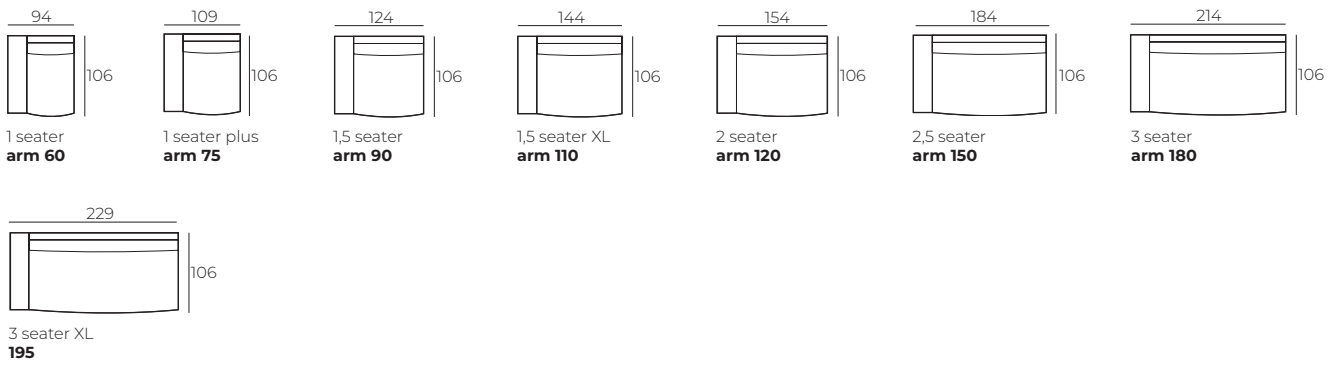
Modules

Scale 1:100

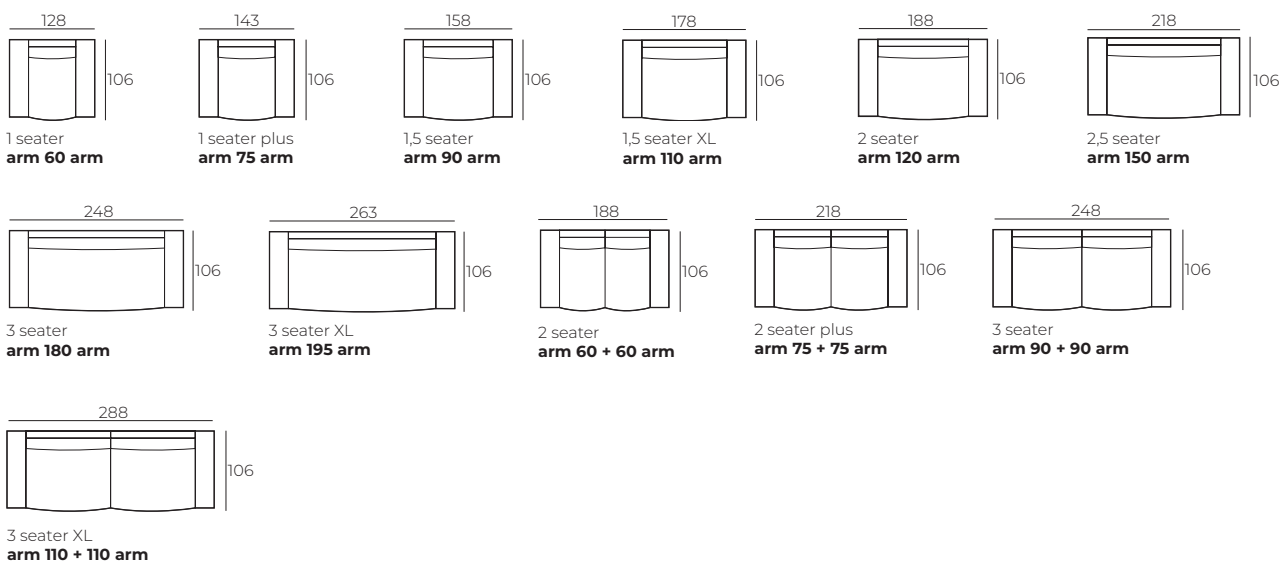


ASPEN

Modules with armrest



Combinations



Accessories

