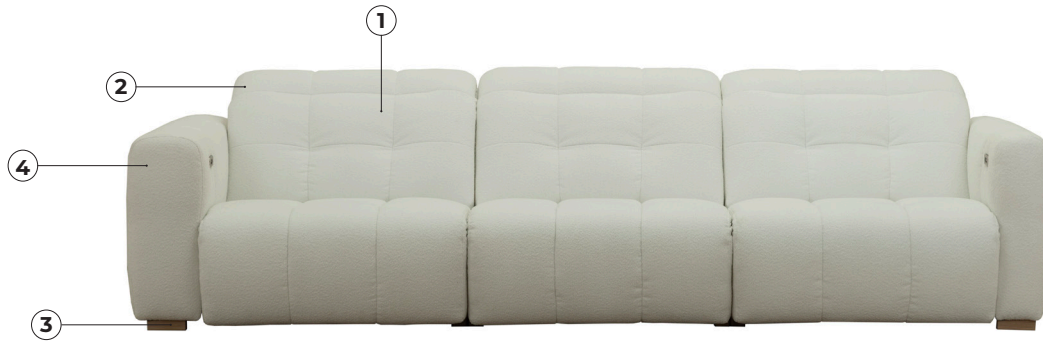


BEACH

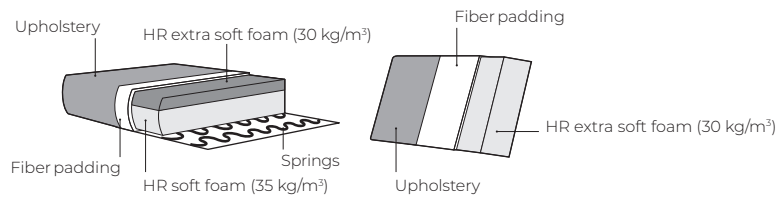


VILMERS

BEACH



Comfort



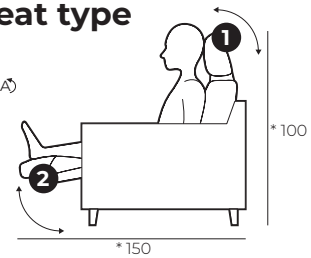
1. Upholstery



* Leather and fabric upholstery contain the same number of stitches.

2. Headrest & seat type

- 1 Manual ↗ / Electrical ↻
- 2 Electrical ↻



* Measurements for fully opened mechanism.

3. Legs



4. Armrests



BENTO
W 25 x D 111 x H 64



SHARE
W 19 x D 111 x H 64



OMEGA*
W 5 x D 109 x H 50

*Not suitable for chaise longue.
*Only with modules with mechanisms

IMPORTANT:

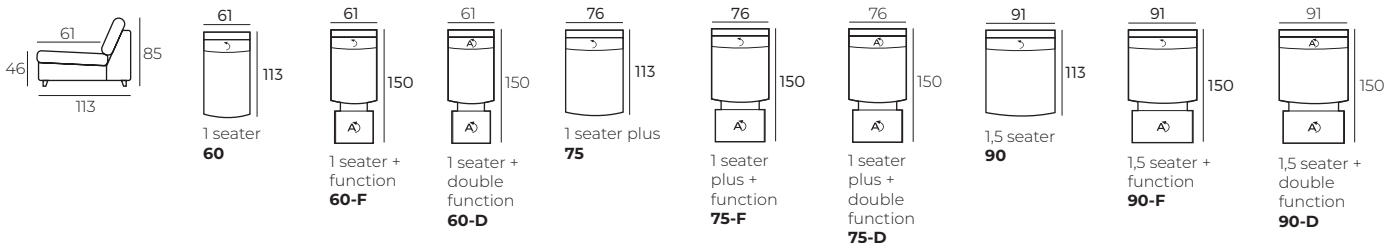
Upholstered furniture is handmade using soft materials, therefore measurements can vary in all modules by up to **+/- 2 cm**.
Modules and combinations shown in 2D drawings are left-sided. Modules and combinations can be mirrored from left to right.

Parts with a mechanism always have fibertex covered sides.

Sofa mechanism with two motors.

Modules (Measurements with BENTO armrest)

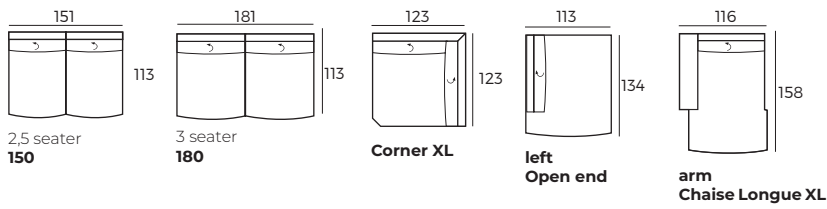
Scale 1:100



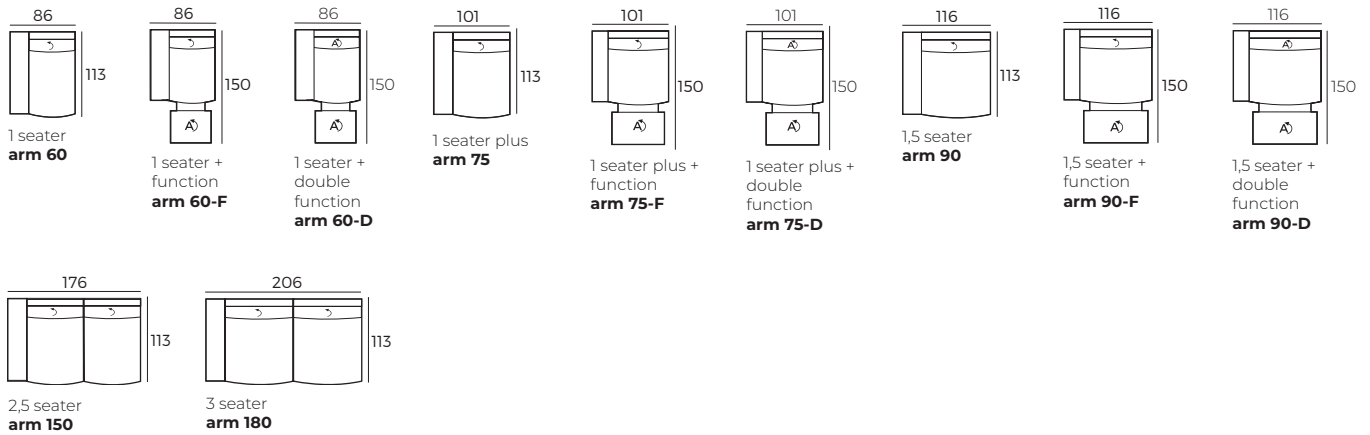
BEACH

Modules (Measurements with BENTO armrest)

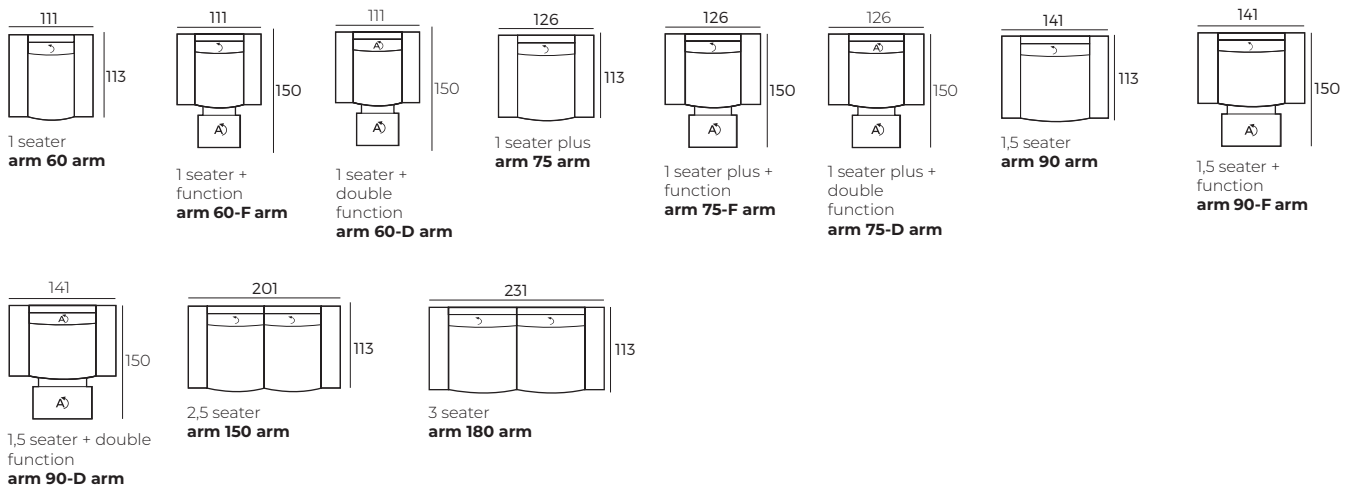
Scale 1:100



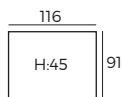
Modules with armrest (Measurements with BENTO armrest)



Combinations (Measurements with BENTO armrest)



Accessories



Footstool
116x91

↵ - manual; ⚡ - electrical *F - single electric function; *D - double electric function