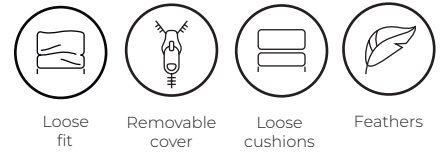


BRERA

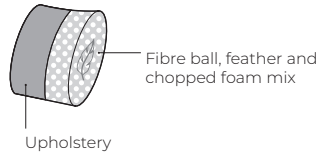
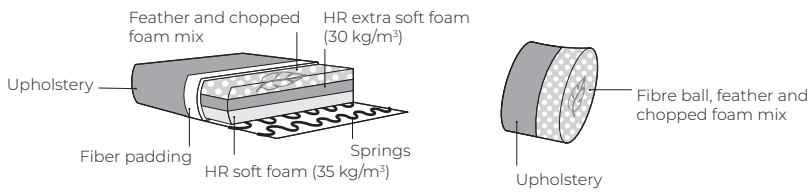


VILMERS

BREERA



Comfort



1. Upholstery



* Leather upholstery may require more stitches than fabric upholstery.

2. Legs

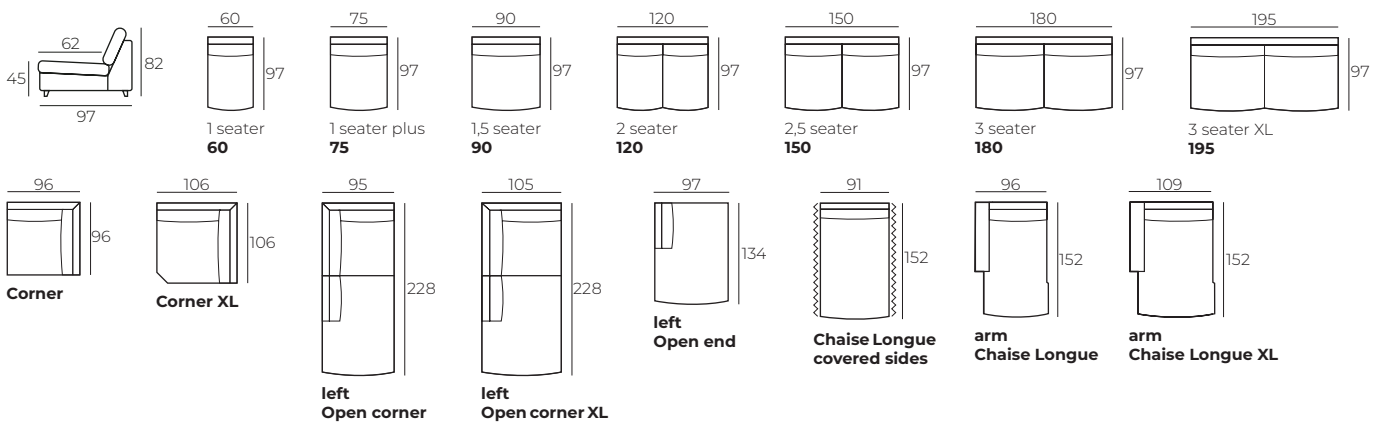


IMPORTANT:

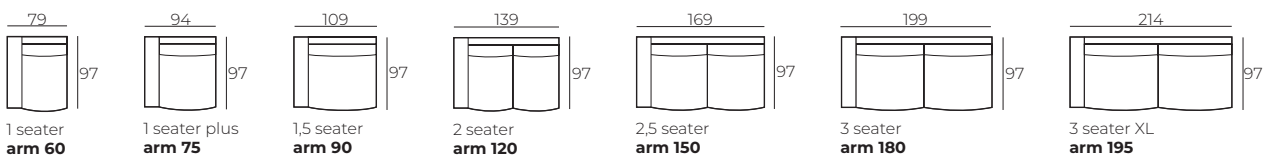
Upholstered furniture is handmade using soft materials, therefore measurements can vary in all modules by up to **+/- 2 cm**.
 Modules and combinations shown in 2D drawings are left-sided. Modules and combinations can be mirrored from left to right.
 The standard leg is 12 cm.
 For an additional fee, the sides of each seater module can be covered in fabric.

Modules

Scale 1:100



Modules with armrest

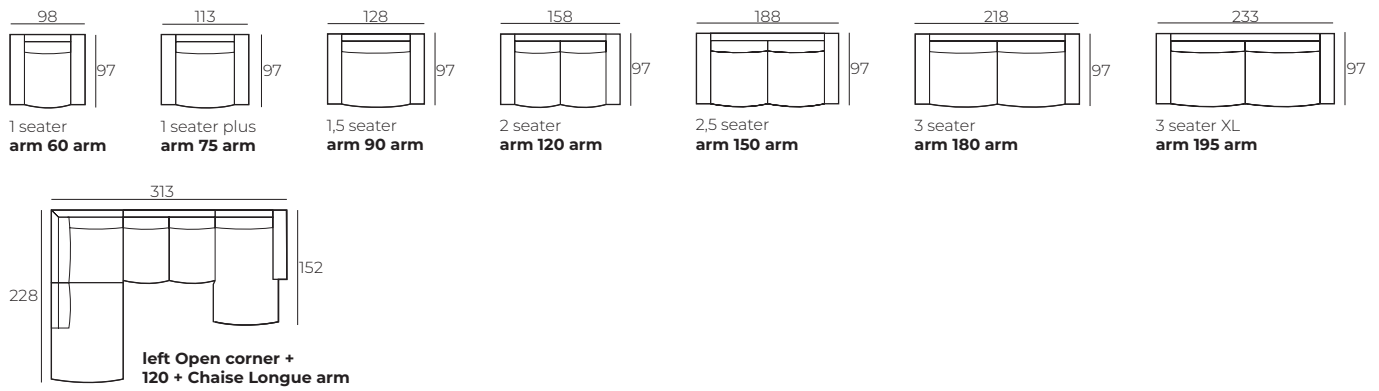


REST ASSURED
 vilmers.com

BRERA

Combinations

Scale 1:100



Accessories

