

LINDEN



VILMERS

LINDEN



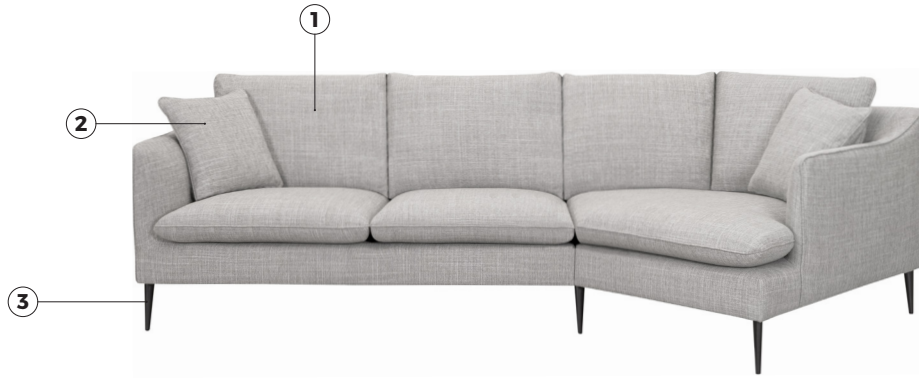
Feathers



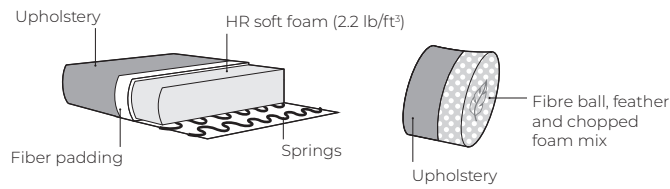
Loose cushions



Removable cover



Comfort



1. Upholstery



Leather*



Fabric



2. Multicolour Option



3. Legs



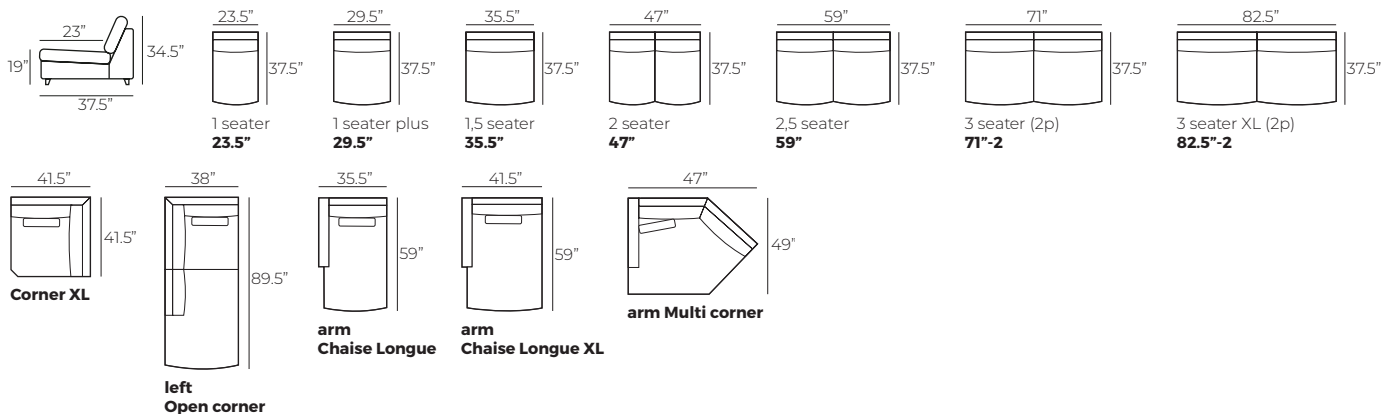
* Leather upholstery may require more stitches than fabric upholstery.

IMPORTANT:

Upholstered furniture is handmade using soft materials, therefore measurements can vary in all modules by up to +/- 1".
Modules and combinations shown in 2D drawings are left-sided. Modules and combinations can be mirrored from left to right.

Modules

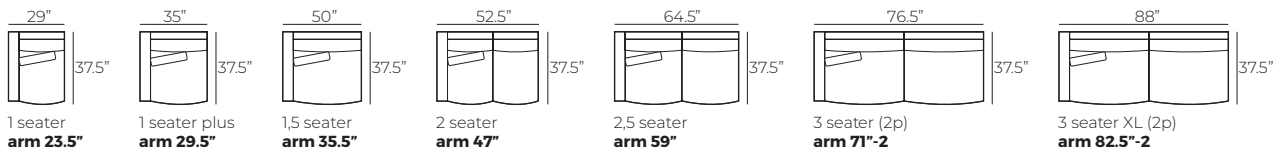
Scale 1:100



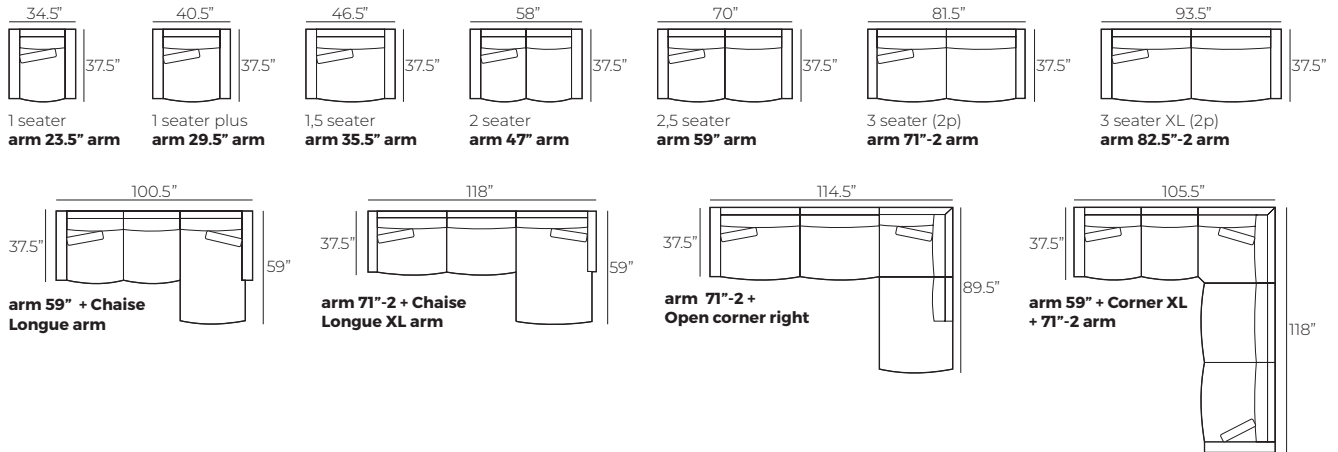
LINDEN

Modules with armrest

Scale 1:100



Combinations



Accessories

