

MAISON



VILMERS

MAISON



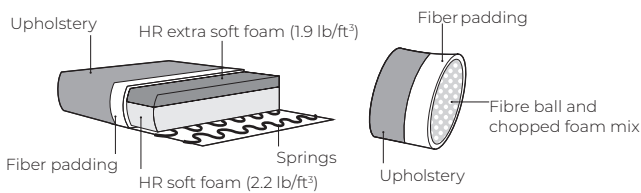
Loose back cushions



Removable cover



Comfort

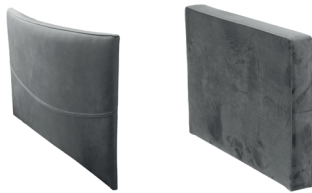


1. Upholstery



* Leather upholstery may require more stitches than fabric upholstery.

2. Armrests



FANCY

W 4.5" x D 35.5" x H 21"

MAISON

W 4" x D 35.5" x H 21"

3. Multicolour option



4. Legs

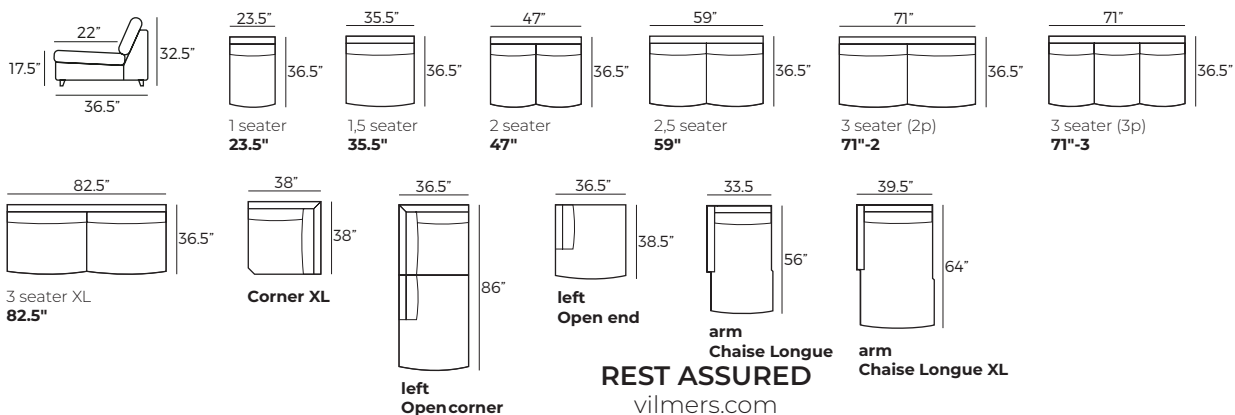


IMPORTANT:

Upholstered furniture is handmade using soft materials, therefore measurements can vary in all modules by up to **+/- 1"**.
 Modules and combinations shown in 2D drawings are left-sided. Modules and combinations can be mirrored from left to right.
 For an additional fee, the sides of each seater module can be covered in fabric.

Modules (Measurements with MAISON armrest)

Scale 1:100

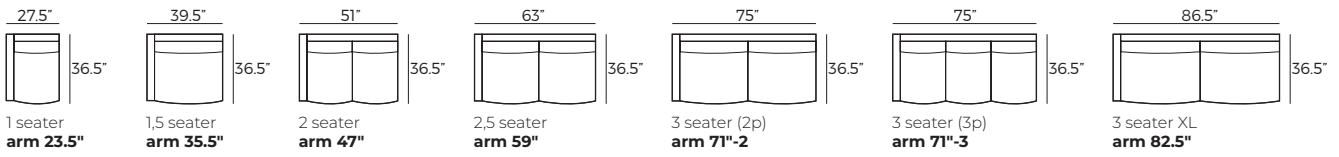


REST ASSURED
vilmers.com

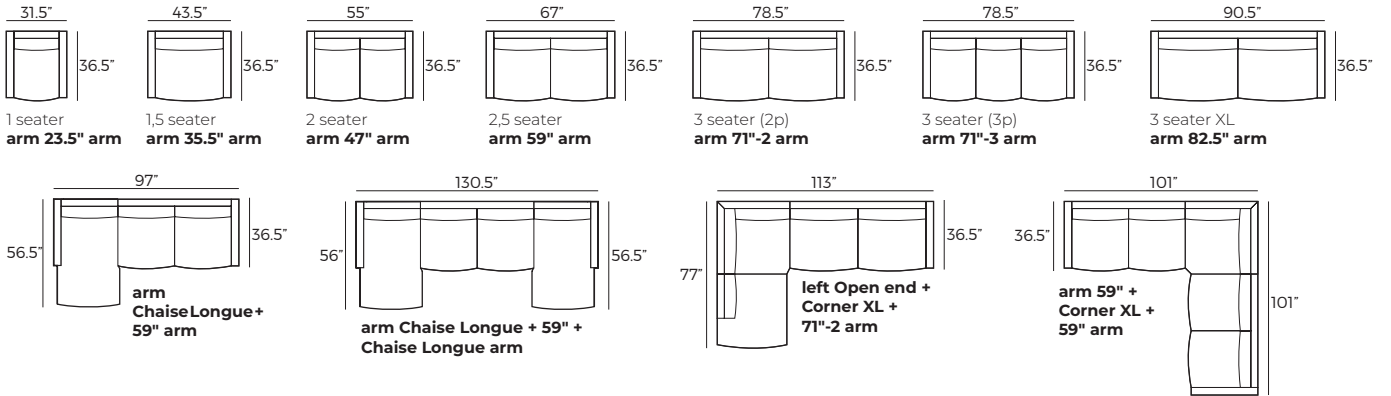
MAISON

Modules with armrest (Measurements with MAISON armrest)

Scale 1:100



Combinations (Measurements with MAISON armrest)



Accessories

