

WATERFALL



Loose fit



Loose cushions

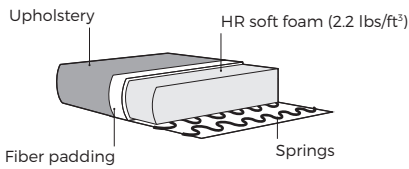


Removable cover

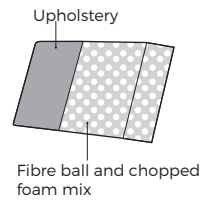
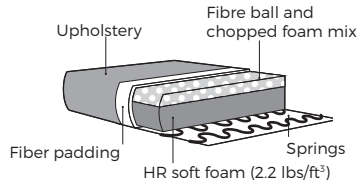


Comfort selection

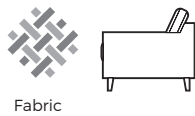
1. SOFT COMFORT



2. EXTRA SOFT COMFORT

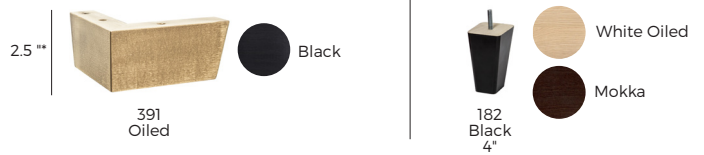


1. Upholstery



Fabric

2. Legs



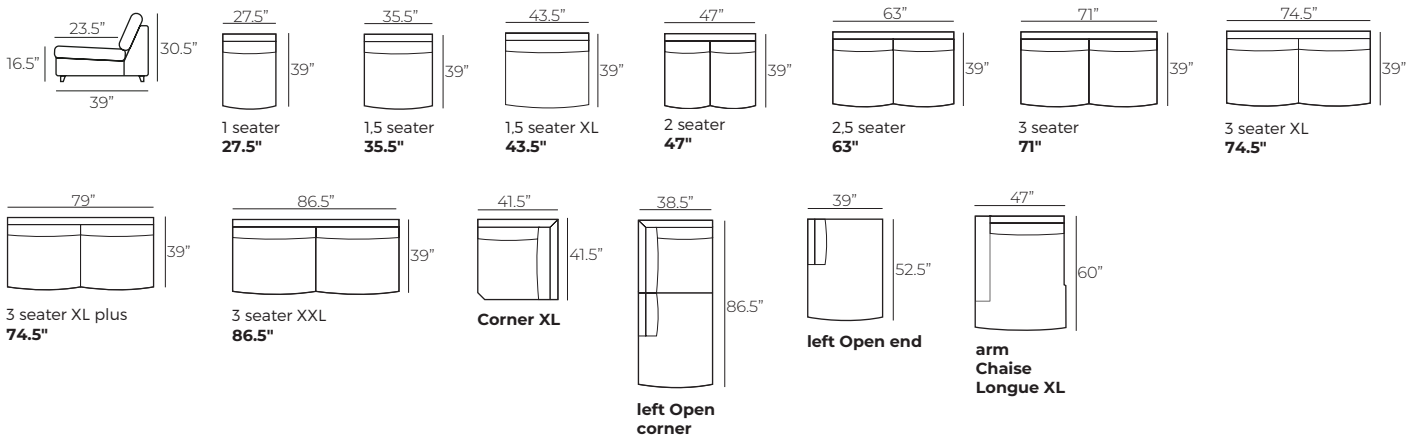
* The height of all legs can be either 2.5" (391) or 3.5" (401).

IMPORTANT:

Upholstered furniture is handmade using soft materials, therefore measurements can vary in all modules by up to +/- 1".
 Modules and combinations shown in 2D drawings are left-sided. Modules and combinations can be mirrored from left to right.
 For an additional fee, the sides of each seater module can be covered in fabric.

Modules

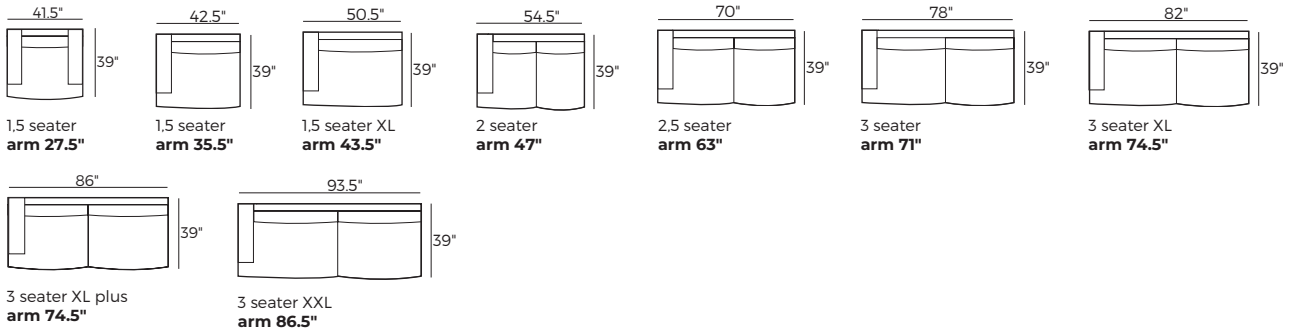
Scale 1:100



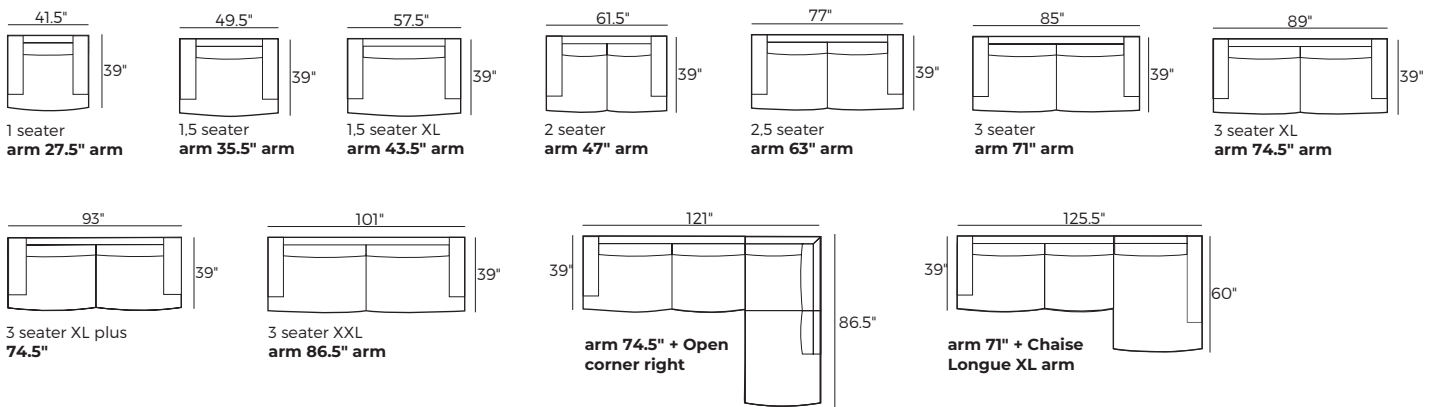
WATERFALL

Modules with armrest

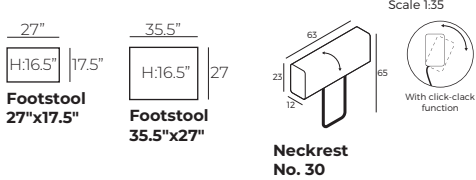
Scale 1:100



Combinations



Accessories



ARMCHAIRS



SOFT FURNITURE

