

VIU

OUTDOOR

by BÖTTCHER & KAYSER



VILMERS



REST ASSURED



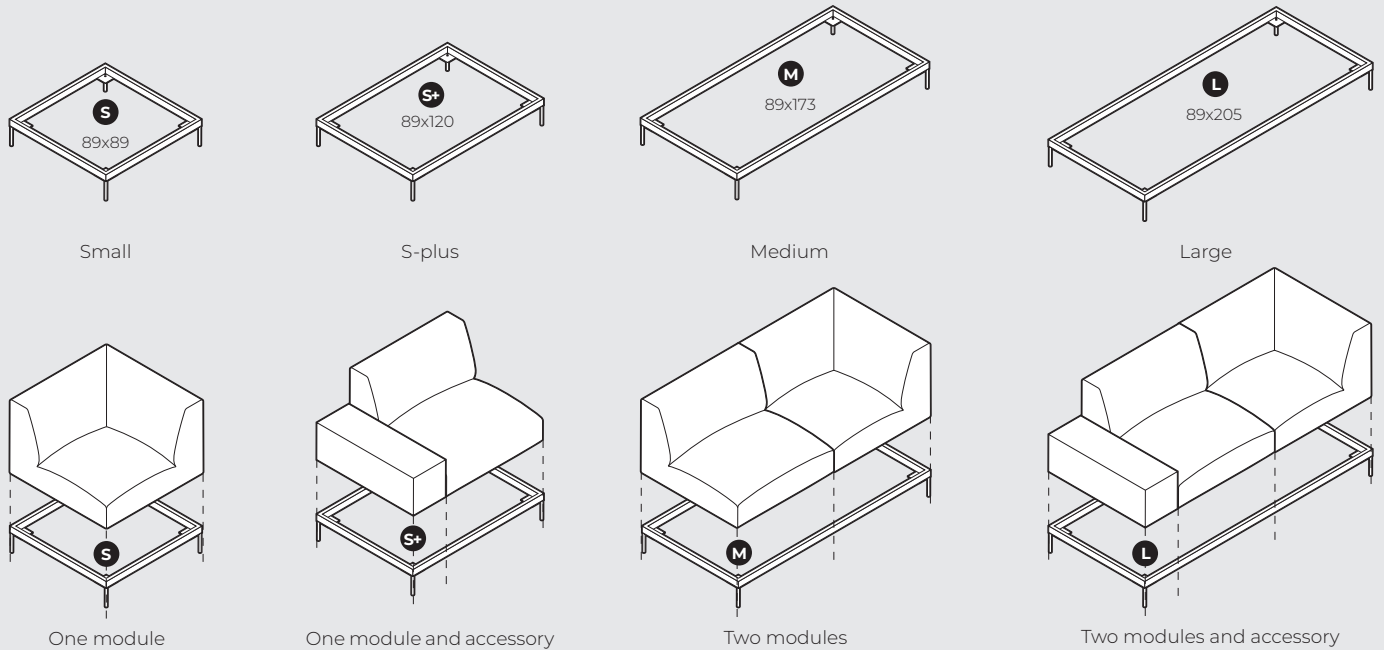
VIU OUTDOOR enables a spontaneous changeability. The upholstered modules are put together according to the usage requirements and personal taste. They can be swapped or rotated as needed. In this way, new seating and reclining landscapes can be created as required in just a few simple steps. VIU OUTDOOR can be playfully integrated into our lives.

Scale 1:50

1. SINGLE FRAME PARTS

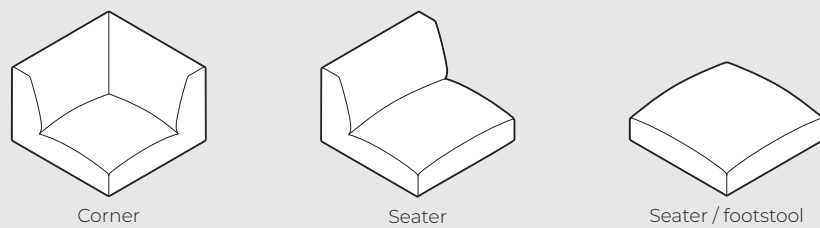
VIU modular system comes with three different modules and offers four different frames for module accommodation. S frame can accommodate a single module, S+ frame fits a module together with an accessory, M frame fits two modules and M+ frame can fit two modules with an additional accessory. The modules can be placed in any order and direction. Metal frames are fixed to each other with a metal connector.

Scale 1:50

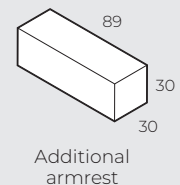


2. SINGLE MODULE PARTS

The base size of all modules is 89x89 cm.

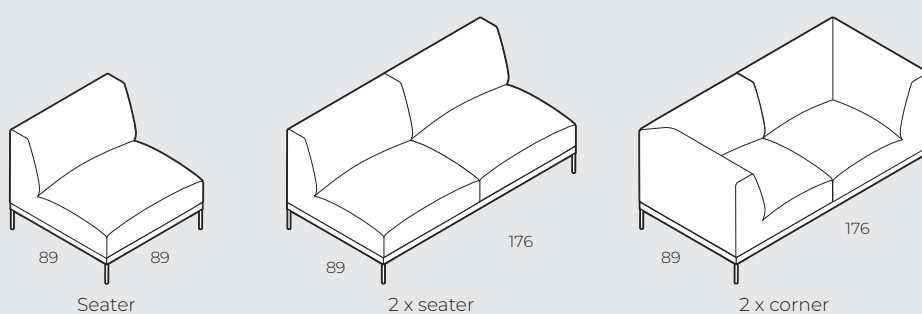


3. ACCESSORIES



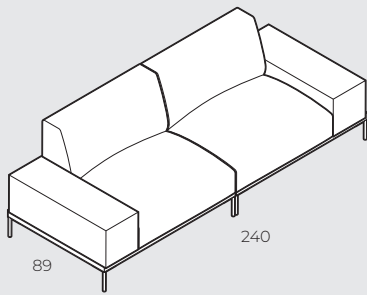
4. SUGGESTED COMBINATIONS

IMPORTANT! Upholstered furniture is handmade using soft materials, therefore measurements can vary in all modules by up to **+/-2 cm**.

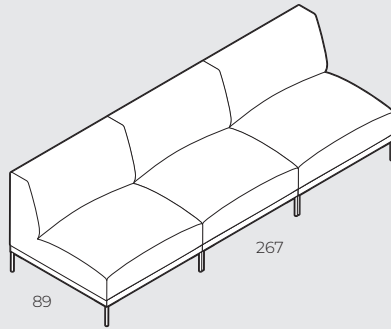


4. SUGGESTED COMBINATIONS

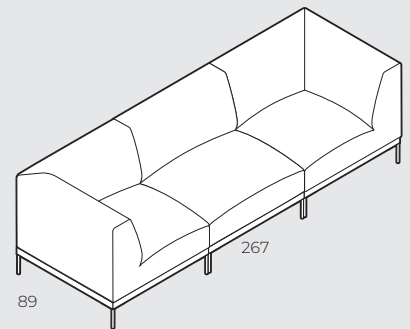
IMPORTANT! Upholstered furniture is handmade using soft materials therefore measurements may vary up to **+/- 2 cm**.



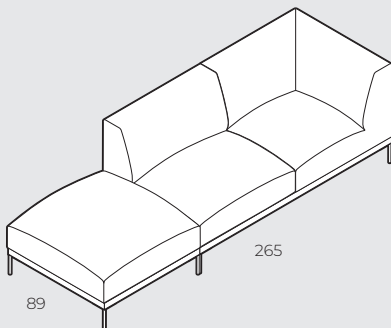
2 x seater +
2 x additional armrest



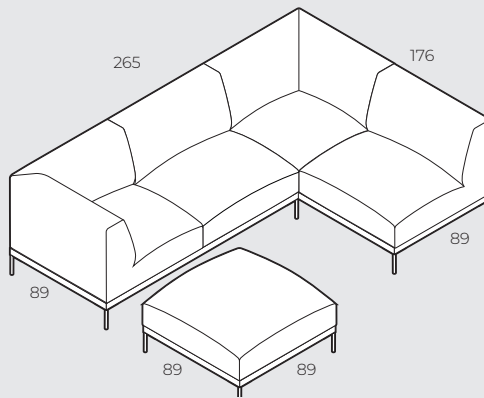
3 x seater



2 x corner + 1 seater



1 x footstool + 1 x seater + 1 x corner

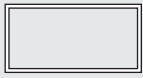


2 x corner + 2 x seater + 1 x footstool

5. FURTHER LAYOUT EXAMPLES FROM ONE COMBINATION

IMPORTANT! Upholstered furniture is handmade using soft materials, therefore measurements may vary up to +/- 2 cm.

Single frame parts



2x



1x

Seating modules



2x

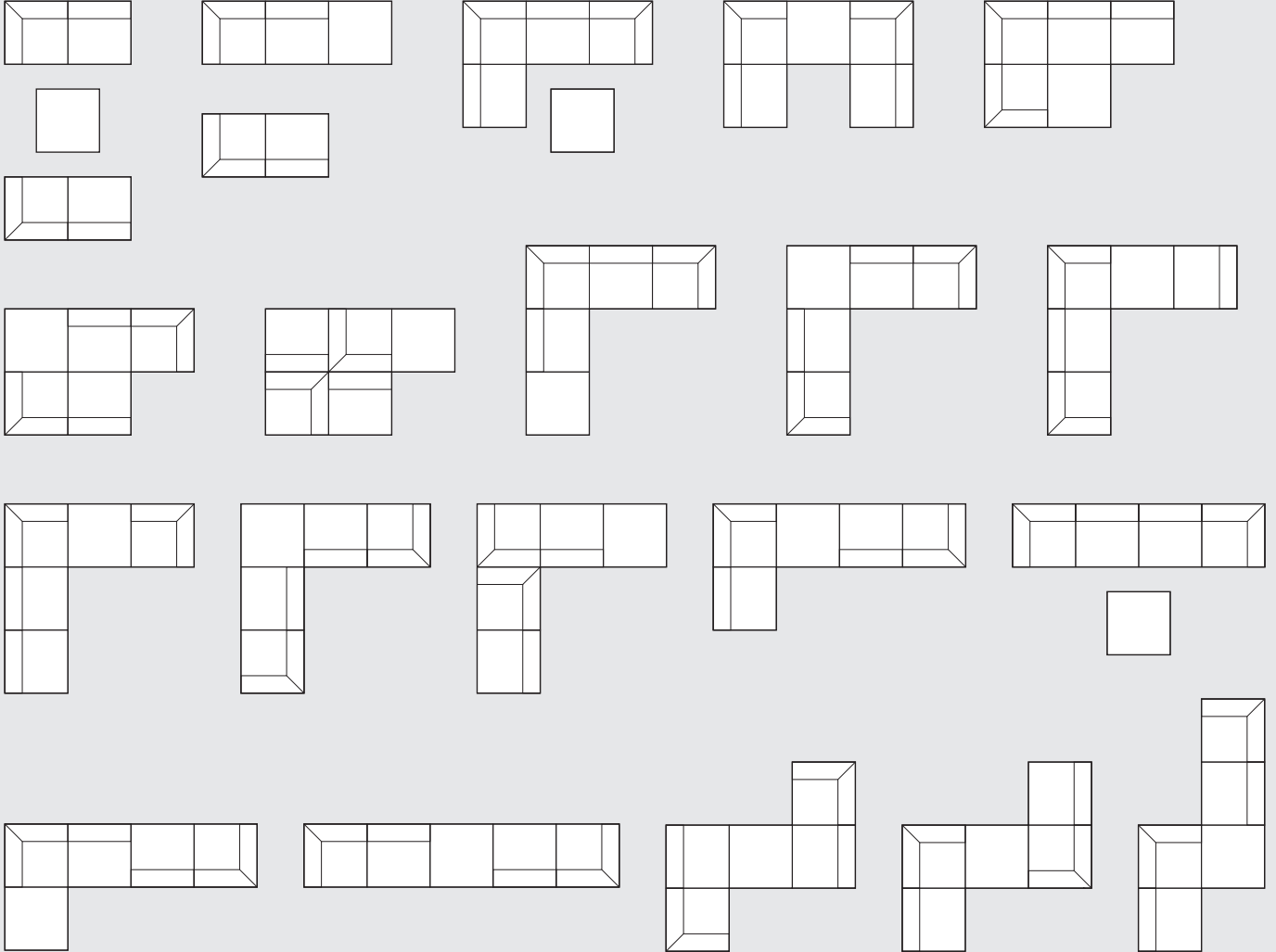


2x



1x

Eight elements for endless combinations and layouts according to the needs or changing environments.

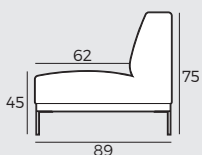


REST ASSURED

6. TECHNICAL DATA

IMPORTANT! The wooden components are made of two types of plywood (Plywood covered with phenolic film, Okoume Marine) and impregnated wood. Metal components are made of stainless steel. Outdoor foam is a unique product designed for your ultimate outdoor comfort experience. This reticulated polyurethane foam with its open cell structure allows the design of highly comfortable outdoor seating together with unique and quick-drying properties, enhanced resistance to bacterial growth and fungi.

Measurements

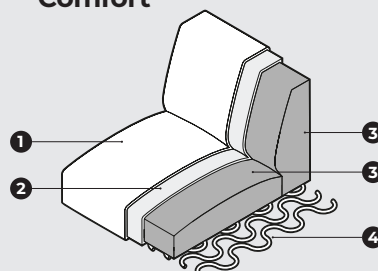


Upholstery



1. Upholstery.
2. Fibre padding.
3. Ether foam 30 kg/m³.
4. Springs.

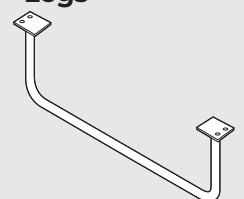
Comfort



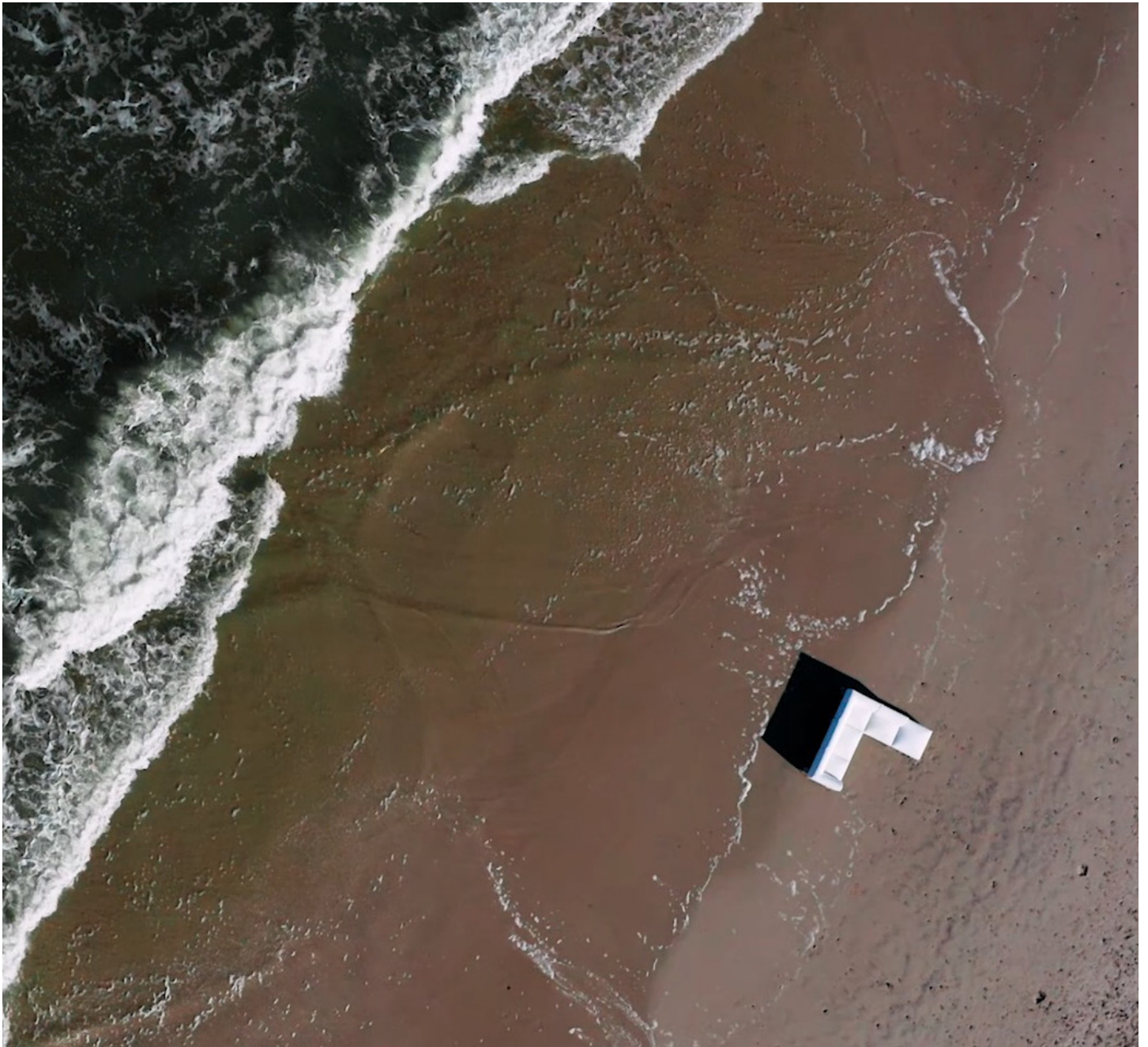
Legs



506
Black metal
15 cm



559
Black metal / White metal
15 cm



REST ASSURED

7. DESIGNERS



"Design means everyday culture. It helps us to enjoy and simplify life. We are fascinated by the process that starts with an idea, becomes substance and hopefully results in a long and pleasurable use for its qualities. That's how we understand reasonability and sustainability."

Berlin based designers
BÖTTCHER & KAYSER