

VIU

OUTDOOR

by BÖTTCHER & KAYSER



VILMERS



REST ASSURED



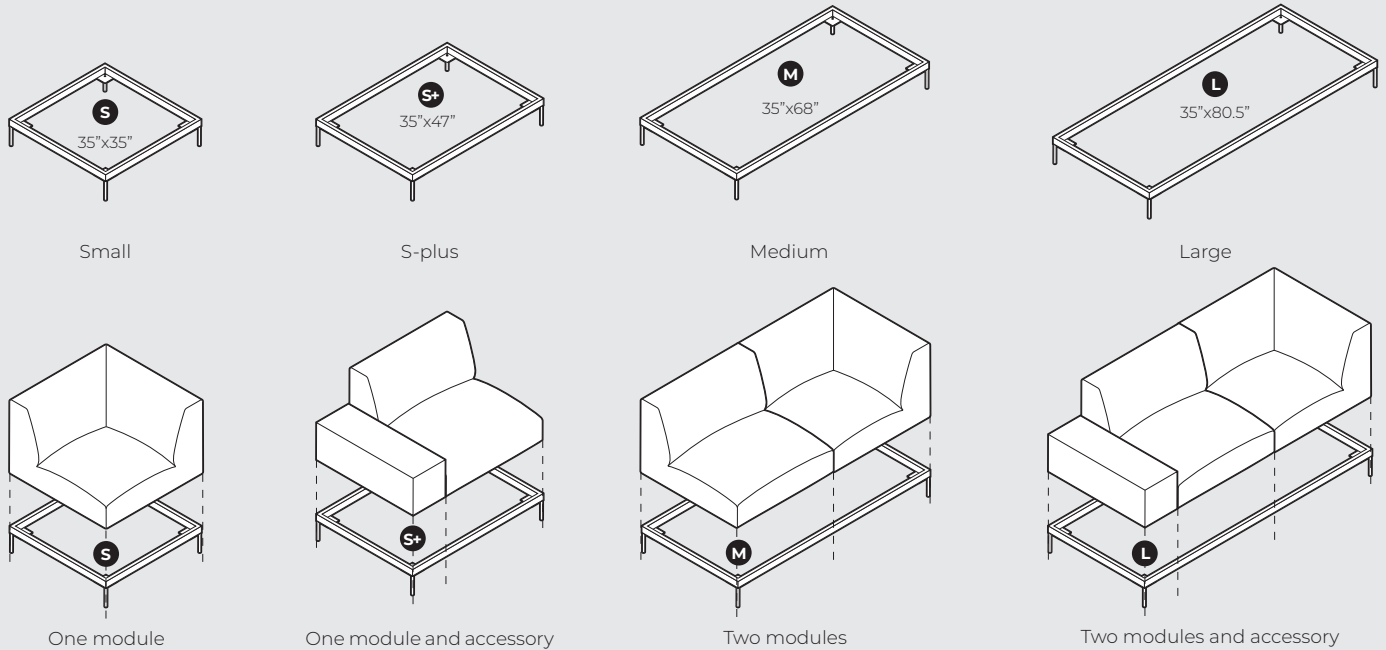
VIU OUTDOOR enables a spontaneous changeability. The upholstered modules are put together according to the usage requirements and personal taste. They can be swapped or rotated as needed. In this way, new seating and reclining landscapes can be created as required in just a few simple steps. VIU OUTDOOR can be playfully integrated into our lives.

Scale 1:50

1. SINGLE FRAME PARTS

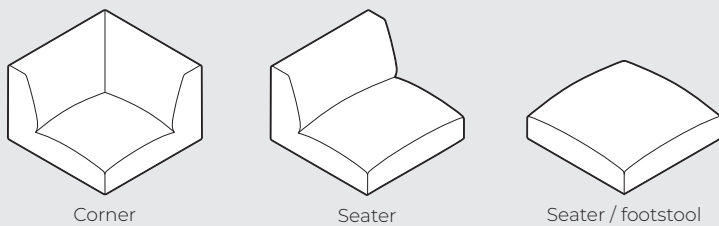
VIU modular system comes with three different modules and offers four different frames for module accommodation. S frame can accommodate a single module, S+ frame fits a module together with an accessory, M frame fits two modules and M+ frame can fit two modules with an additional accessory. The modules can be placed in any order and direction. Metal frames are fixed to each other with a metal connector.

Scale 1:50

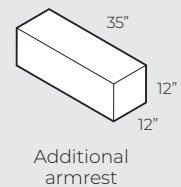


2. SINGLE MODULE PARTS

The base size of all modules is 35" x 35".



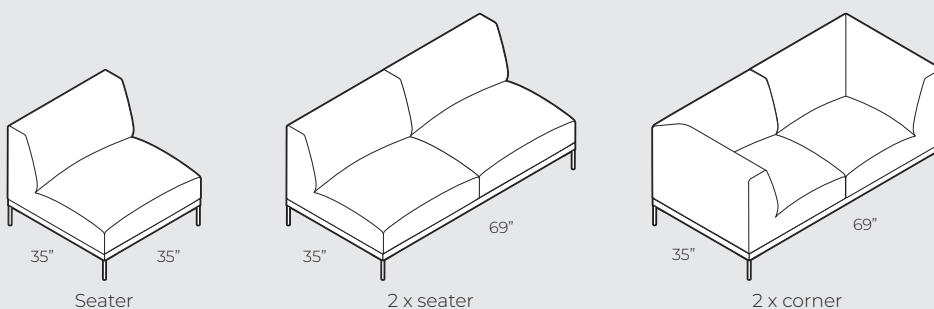
3. ACCESSORIES



Scale 1:50

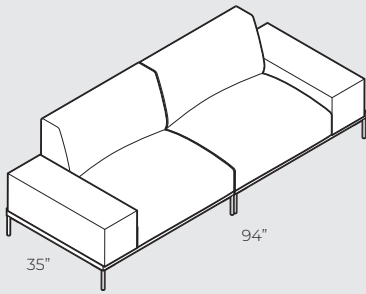
4. SUGGESTED COMBINATIONS

IMPORTANT! Upholstered furniture is handmade using soft materials, therefore measurements may vary up to +/- 1".

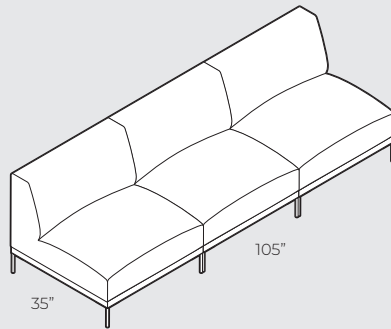


4. SUGGESTED COMBINATIONS

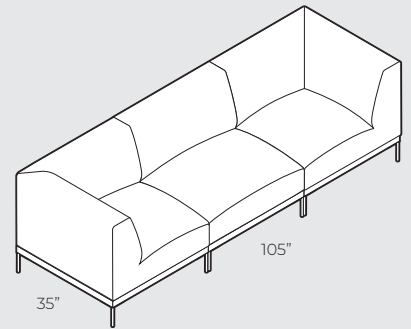
IMPORTANT! Upholstered furniture is handmade using soft materials, therefore measurements may vary up to **+/- 1"**.



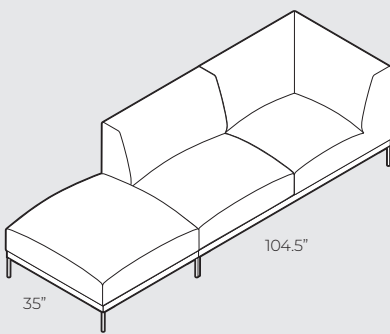
2 x seater +
2 x additional armrest



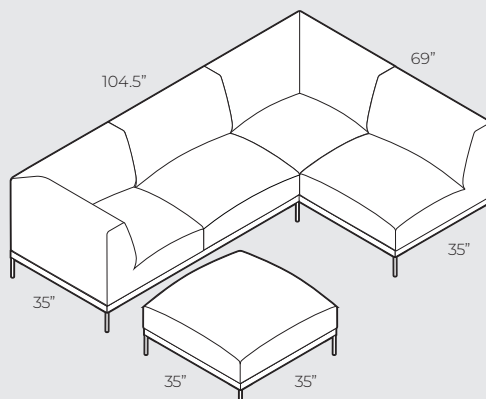
3 x seater



2 x corner + 1 seater



1 x footstool + 1 x seater + 1 x Corner



2 x corner + 2 x seater + 1x footstool

Scale 1:100

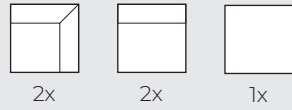
5. FURTHER LAYOUT EXAMPLES FROM ONE COMBINATION

IMPORTANT! Upholstered furniture is handmade using soft materials, therefore measurements may vary up to +/- 1".

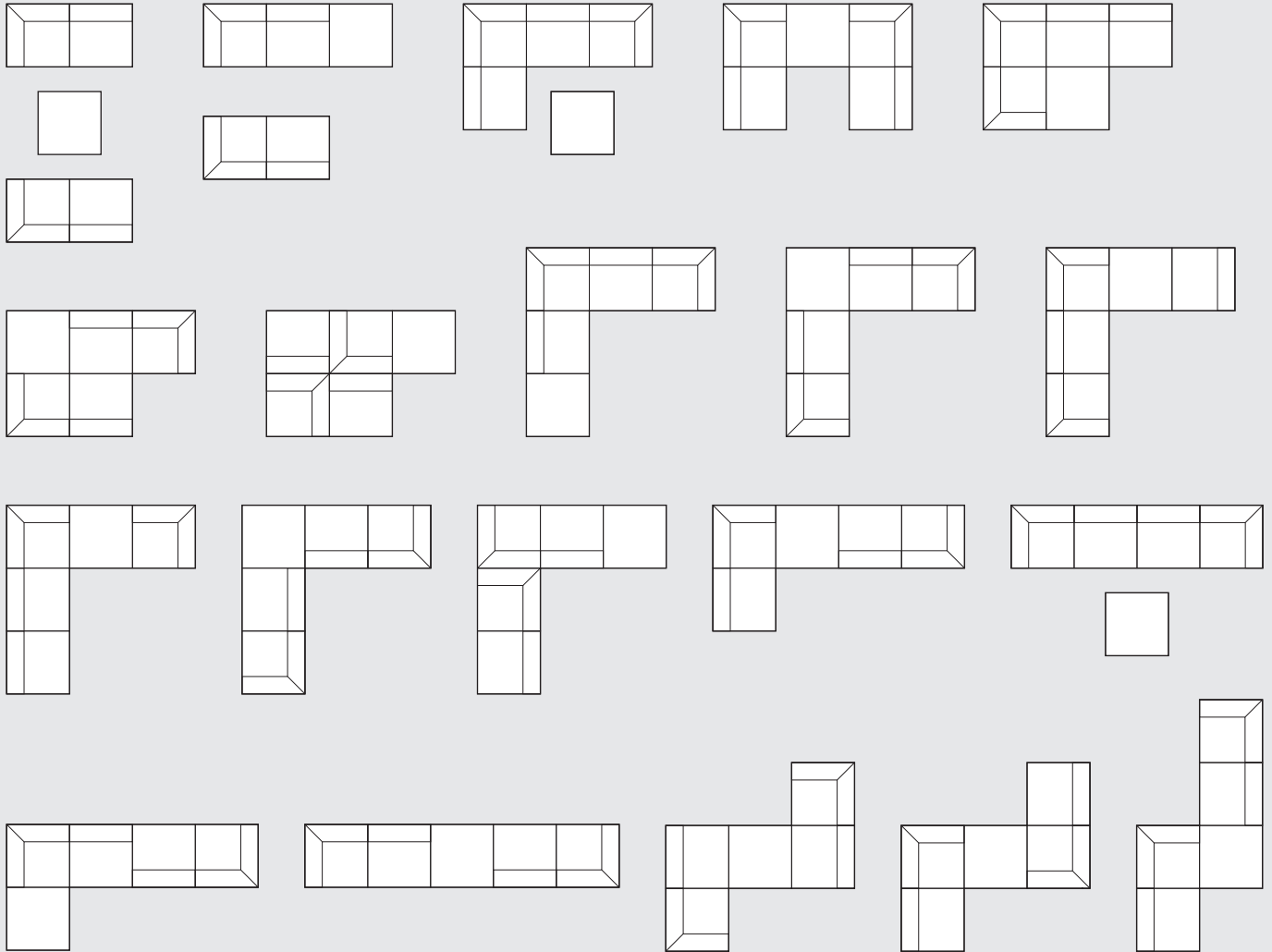
Single frame parts



Seating modules



Eight elements for endless combinations and layouts according to the needs or changing environments.

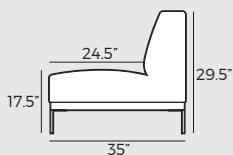


REST ASSURED

6. TECHNICAL DATA

IMPORTANT! The wooden components are made of two types of plywood (Plywood covered with phenolic film, Okoume Marine) and impregnated wood. Metal components are made of stainless steel. Outdoor foam is a unique product designed for your ultimate outdoor comfort experience. This reticulated polyurethane foam with its open cell structure allows the design of highly comfortable outdoor seating together with unique and quick-drying properties, enhanced resistance to bacterial growth and fungi.

Measurements

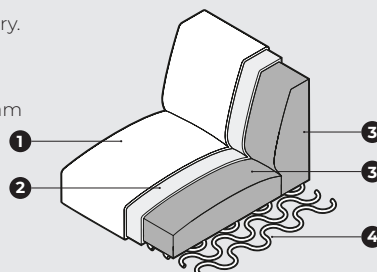


Upholstery

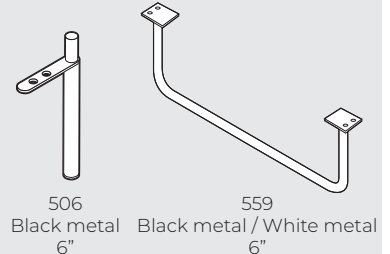


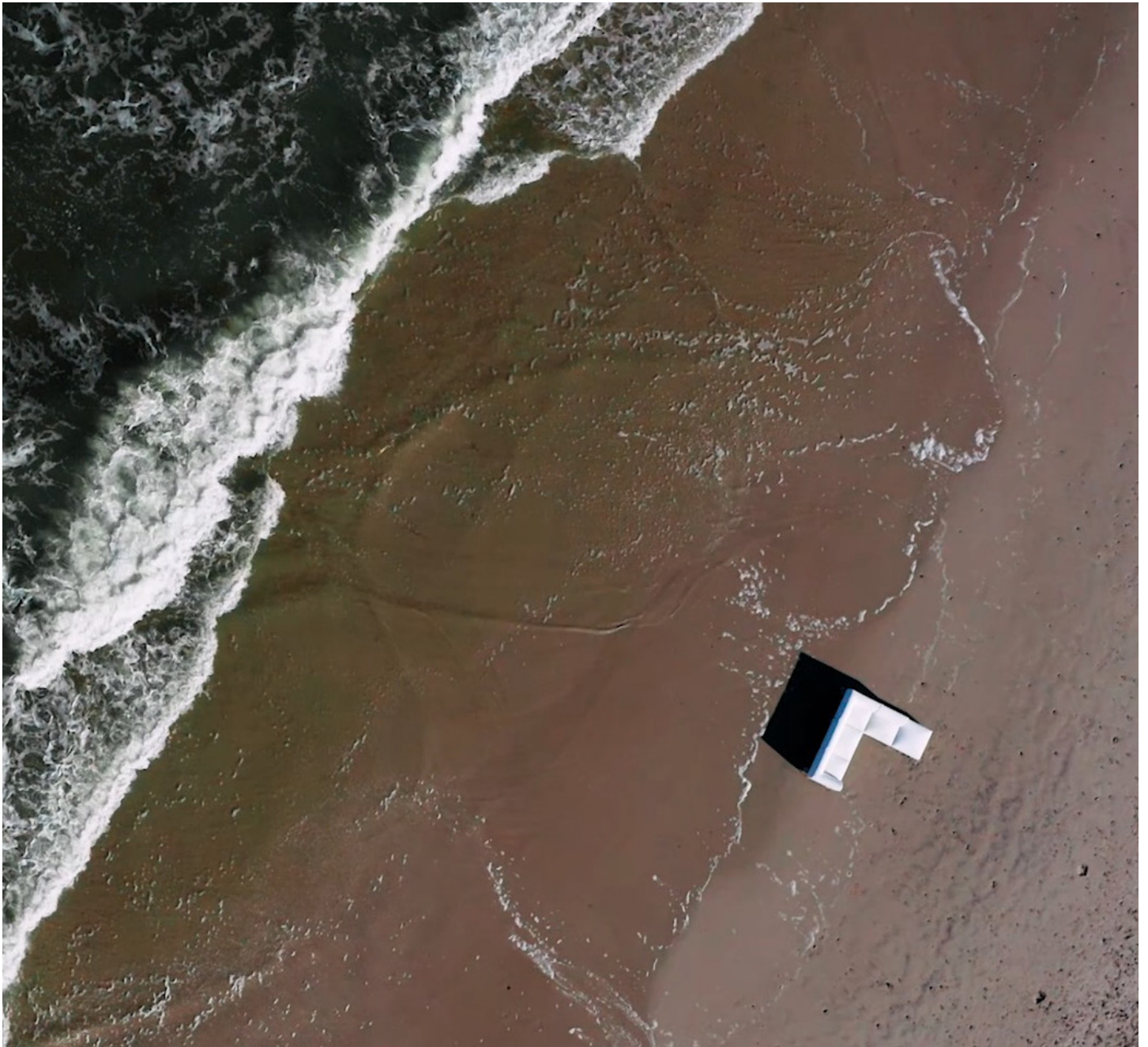
Comfort

1. Upholstery.
2. Fibre padding.
3. Ether foam 1.8 lb/ft³.
4. Springs.



Legs





REST ASSURED

7. DESIGNERS



"Design means everyday culture. It helps us to enjoy and simplify life. We are fascinated by the process that starts with an idea, becomes substance and hopefully results in a long and pleasurable use for its qualities. That's how we understand reasonability and sustainability."

Berlin based designers
BÖTTCHER & KAYSER