

# COBBLE

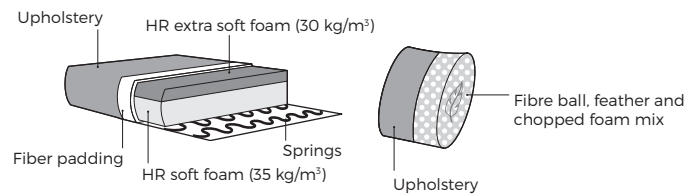


VILMERS

# COBBLE



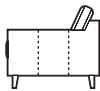
## Comfort



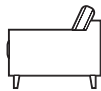
## 1. Upholstery



Leather \*

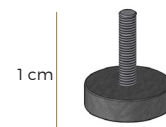


Fabric



\* Leather upholstery may require more stitches than fabric upholstery.

## 2. Legs



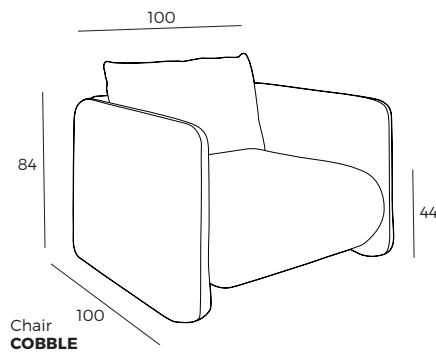
524  
Plastic

### IMPORTANT:

Upholstered furniture is handmade using soft materials, therefore measurements can vary in all modules by up to +/- 2cm.

## Measurements

Scale 1:35



Chair  
COBBLE