

CARRY

by BÖTTCHER & KAYSER



VILMERS
vilmers.com

CARRY by BÖTTCHER & KAYSER

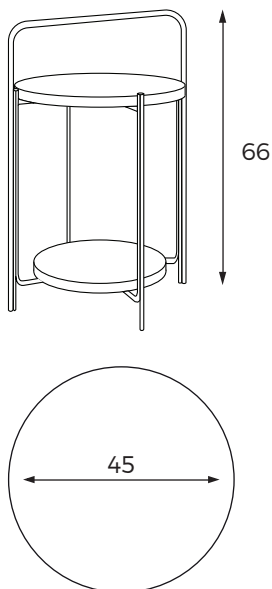
CARRY is a four piece collection available in black metal and black glass; black metal and black oak or black metal and stone or black marble. Beautifully combining crisp cylindrical metal frames with lavish black oak, black glass, stone or striking black marble tops tops and underlays this series would be a welcome accompaniment in any design lover's home.

TECHNICAL DATA



Example: Frame - Black metal, Top - Black oak

MEASUREMENTS



COLOR / CODES



Frame - Black metal +
Top - Black oak
CARRY-0036



Frame - Black metal +
Top - Black glass
CARRY-0043



Frame - Black metal +
Top - Stone
CARRY-0052

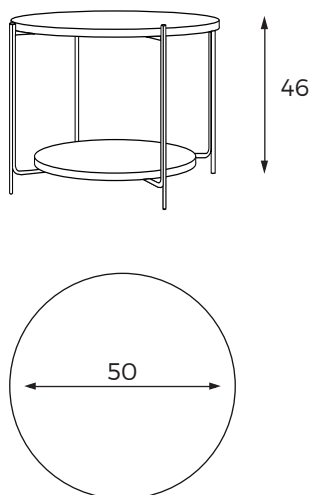


Frame - Black metal +
Top - Black Marble
CARRY-0048



Example: Frame - Black metal, Top - Black oak

MEASUREMENTS



COLOR / CODES



Frame - Black metal +
Top - Black oak
CARRY-0033



Frame - Black metal +
Top - Black glass
CARRY-0037



Frame - Black metal +
Top - Stone
CARRY-0049



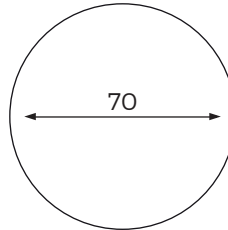
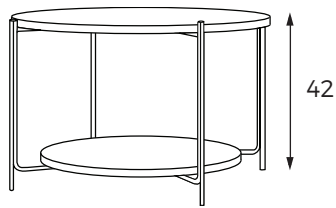
Frame - Black metal +
Top - Black Marble
CARRY-0045

TECHNICAL DATA



Example: Frame - Black metal, Top - Black oak

MEASUREMENTS



COLOR / CODES



Frame - Black metal +
Top - Black oak
CARRY-0034



Frame - Black metal +
Top - Black glass
CARRY-0039



Frame - Black metal +
Top - Stone
CARRY-0050

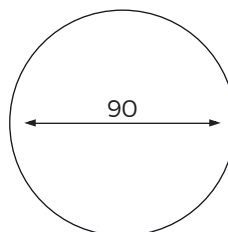
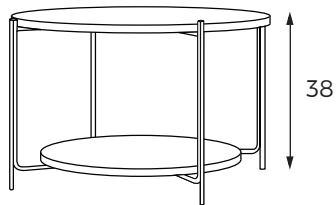


Frame - Black metal +
Top - Black Marble
CARRY-0046



Example: Frame - Black metal, Top - Black oak

MEASUREMENTS



COLOR / CODES



Frame - Black metal +
Top - Black oak
CARRY-0035



Frame - Black metal +
Top - Black glass
CARRY-0041



Frame - Black metal +
Top - Stone
CARRY-0051



Frame - Black metal +
Top - Black Marble
CARRY-0047